



Hi-Cap
ULTRACAPACITOR

Power Type

NL Series

Features

- High capacitance and low-resistance
- Quick charge & discharge
- Environmentally friendly products

Recommended Applications

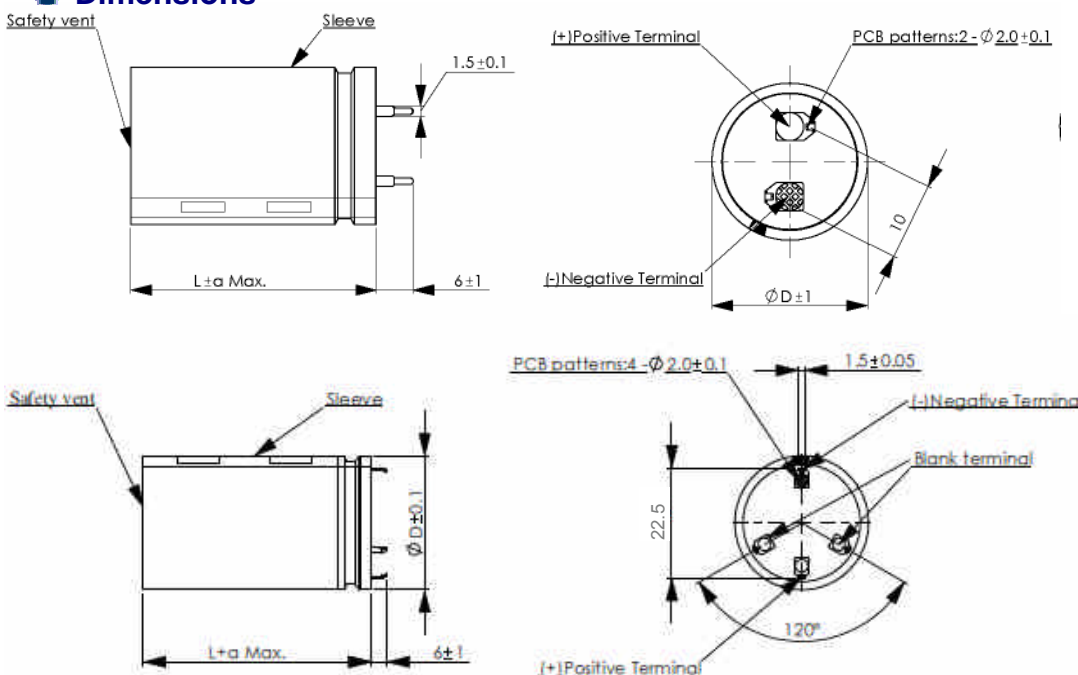
- Pulse power demand
- Hybrid battery packs
- Power tools



Specification

Items	Characteristics	
Rated Voltage	2.7 V	
Surge Voltage	2.85 V	
Capacitance Tolerance	-20 % / +20 %	
Operating Temperature	-40 °C to 65 °C	
Storage Temperature	-40 °C to 70 °C	
Life Time	10y @ 25 °C	△C Within ±30% of initial measured value
		ESR Within 2 times of initial specified value
Cycle Life	500k cycles @ 25 °C	△C Within ±30% of initial measured value
		ESR Within 2 times of initial specified value

Dimensions



Size List

Size	D	L	a
22x45	22	45	2
25x50	25	50	2
30x50	30	50	2
35x50	35	50	2
35x60	35	60	2





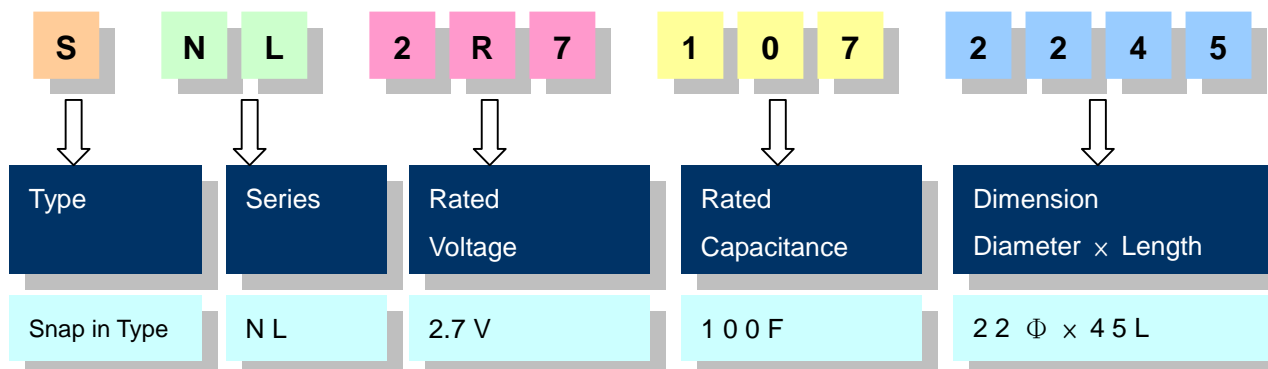
Hi-Cap

ULTRACAPACITOR

Standard Ratings

Rated Cap (F) measure at 25°C	Size (mm) ΦDXL	Internal Resistance (mΩ)		LC (mA) 72hrs, 25°C	Stored Energy (Wh)	Specific Energy		Specific Power		Max. Current 1s to 1/2V (A)	Isc (A)	Weight (g)	Part Number
		AC (1kHz)	DC			(Wh/kg)	(Wh/l)	Pd (W/kg)	Pmax (W/kg)				
100	22X45	9	15	0.26	0.1013	4.0500	5.9220	2333	8100	54.000	180	25	SNL2R71072245
150	25X50	8	14	0.50	0.1519	4.3393	6.1911	1944	6750	65.323	193	35	SNL2R71572550
200	30X50	8	14	0.60	0.2025	5.0625	5.7325	1838	6700	71.053	193	40	SNL2R72073050
300	35X50	8	14	0.80	0.3038	5.0625	6.3174	1785	6509	77.885	193	60	SNL2R73073550
400	35X60	5	12	1.20	0.4050	5.7857	7.0194	1562	5695	93.103	225	70	SNL2R74073560

Part Numbering System





Hi-Cap
ULTRACAPACITOR

Power Type

NL Series



Features

- High capacitance and low-resistance
- Quick charge & discharge
- Environmentally friendly products

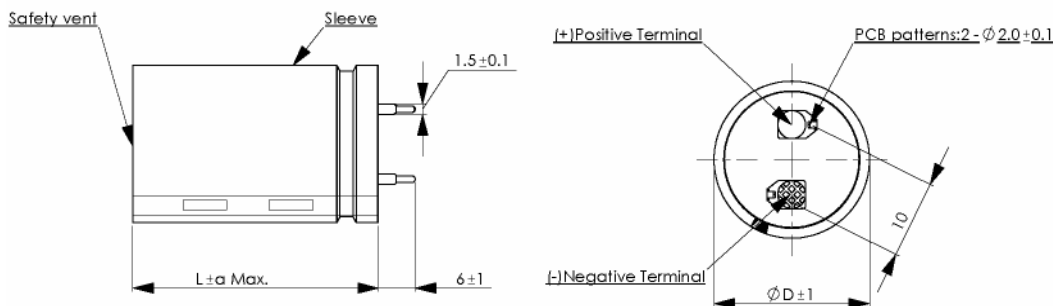
Recommended Applications

- Pulse power demand
- Hybrid battery packs
- Power tools

Specification

Items	Characteristicss		
Rated Voltage	2.7 V		
Surge Voltage	2.85 V		
Capacitance Tolerance	-20 % / +20 %		
Operating Temperature	-40 °C to 65 °C		
Storage Temperature	-40 °C to 70 °C		
Life Time	10y @ 25 °C	△C	Within ±30% of initial measured value
		ESR	Within 2 times of initial specified value
Cycle Life	500k cycles @ 25 °C	△C	Within ±30% of initial measured value
		ESR	Within 2 times of initial specified value

Dimensions



D	L	a
22	45	2

Standard Ratings

Rated Cap (F) measure at 25°C	Size (mm) ΦDXL	Internal Resistance (mΩ)		LC (mA) 72hrs, 25°C	Stored Energy (Wh)	Specific Energy		Specific Power		Max. Current 1s to 1/2V (A)	Isc (A)	Weight (g)	Part Number
		AC (1kHz)	DC			(Wh/kg)	(Wh/l)	Pd (W/kg)	Pmax (W/kg)				
100	22X45	9	15	0.26	0.1013	4.0500	5.9220	2333	8100	54.000	180	25	SNL2R71072245





Hi-Cap
ULTRACAPACITOR

Power Type

NL Series



Features

- High capacitance and low-resistance
- Quick charge & discharge
- Environmentally friendly products

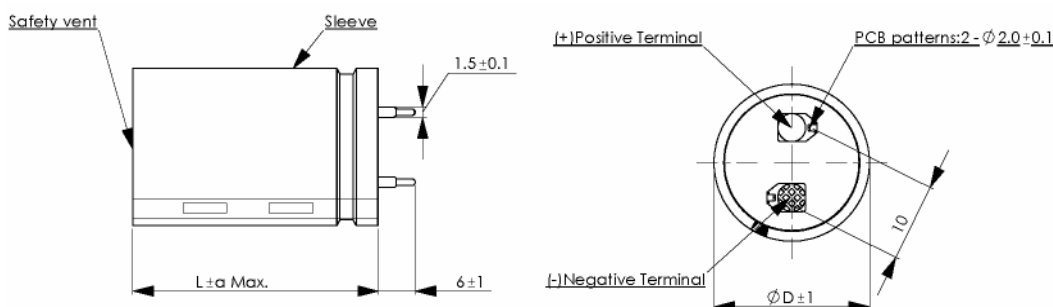
Recommended Applications

- Pulse power demand
- Hybrid battery packs
- Power tools

Specification

Items	Characteristics	
Rated Voltage	2.7 V	
Surge Voltage	2.85 V	
Capacitance Tolerance	-20 % / +20 %	
Operating Temperature	-40 °C to 65 °C	
Storage Temperature	-40 °C to 70 °C	
Life time	10y @ 25 °C	△C Within ±30% of initial measured value
		ESR Within 2 times of initial specified value
Cycle Life	500k cycles @ 25 °C	△C Within ±30% of initial measured value
		ESR Within 2 times of initial specified value

Dimensions



D	L	a
25	50	2

Standard Ratings

Rated Cap (F) measure at 25°C	Size (mm) ΦDXL	Internal Resistance (mΩ)		LC (mA) 72hrs, 25°C	Stored Energy (Wh)	Specific Energy		Specific Power		Max. Current 1s to 1/2V (A)	Isc (A)	Weight (g)	Part Number
		AC (1kHz)	DC			(Wh/kg)	(Wh/l)	Pd (W/kg)	Pmax (W/kg)				
150	25X50	8	14	0.50	0.1519	4.3393	6.1911	1944	6750	65.323	193	35	SNL2R71572550





Hi-Cap
ULTRACAPACITOR

Power Type

NL Series



Features

- High capacitance and low-resistance
- Quick charge & discharge
- Environmentally friendly products

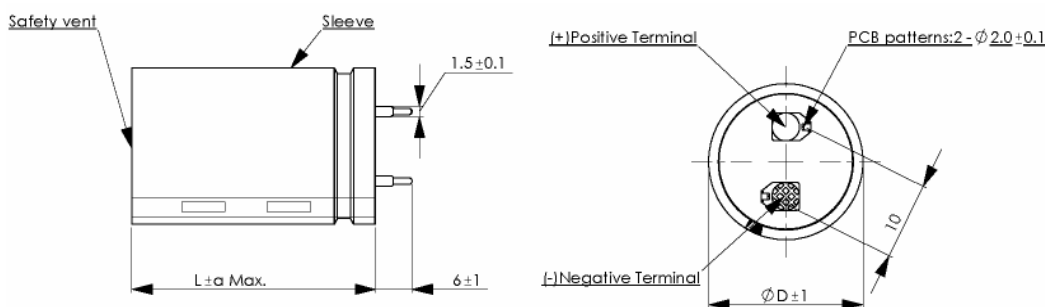
Recommended Applications

- Pulse power demand
- Hybrid battery packs
- Power tools

Specification

Items	Characteristics		
Rated Voltage	2.7 V		
Surge Voltage	2.85 V		
Capacitance Tolerance	-20 % / +20 %		
Operating Temperature	-40 °C to 65 °C		
Storage Temperature	-40 °C to 70 °C		
Life time	10y @ 25 °C	△C	Within ±30% of initial measured value
		ESR	Within 2 times of initial specified value
Cycle Life	500k cycles @ 25 °C	△C	Within ±30% of initial measured value
		ESR	Within 2 times of initial specified value

Dimensions



D	L	a
30	50	2

Standard Ratings

Rated Cap (F) measure at 25°C	Size (mm) ΦDXL	Internal Resistance (mΩ)		LC (mA) 72hrs, 25°C	Stored Energy (Wh)	Specific Energy		Specific Power		Max. Current 1s to 1/2V (A)	Isc (A)	Weight (g)	Part Number
		AC (1kHz)	DC			(Wh/kg)	(Wh/l)	Pd (W/kg)	Pmax (W/kg)				
200	30X50	8	14	0.60	0.2025	5.0625	5.7325	1838	6700	71.053	193	40	SNL2R72073050





Hi-Cap
ULTRACAPACITOR

Power Type

NL Series

Features

- High capacitance and low-resistance
- Quick charge & discharge
- Environmentally friendly products

Recommended Applications

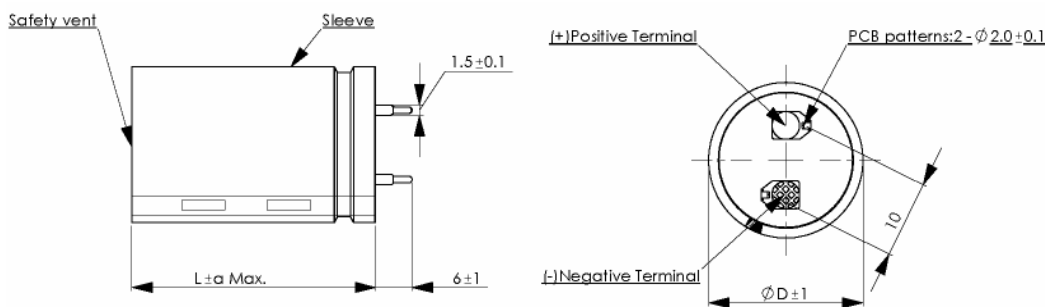
- Pulse power demand
- Hybrid battery packs
- Power tools



Specification

Items	Characteristics		
Rated Voltage	2.7 V		
Surge Voltage	2.85 V		
Capacitance Tolerance	-20 % / +20 %		
Operating Temperature	-40 °C to 65 °C		
Storage Temperature	-40 °C to 70 °C		
Life time	10y @ 25 °C	△C	Within ±30% of initial measured value
		ESR	Within 2 times of initial specified value
Cycle Life	500k cycles @ 25 °C	△C	Within ±30% of initial measured value
		ESR	Within 2 times of initial specified value

Dimensions



D	L	a
35	50	2

Standard Ratings

Rated Cap (F) measure at 25°C	Size (mm) ΦDXL	Internal Resistance (mΩ)		LC (mA) 72hrs, 25°C	Stored Energy (Wh)	Specific Energy		Specific Power		Max. Current 1s to 1/2V (A)	Isc (A)	Weight (g)	Part Number
		AC (1kHz)	DC			(Wh/kg)	(Wh/l)	Pd (W/kg)	Pmax (W/kg)				
300	35X50	8	14	0.80	0.3038	5.0625	6.3174	1785	6509	77.885	193	60	SNL2R73073550





Power Type

NL Series



Features

- High capacitance and low-resistance
- Quick charge & discharge
- Environmentally friendly products

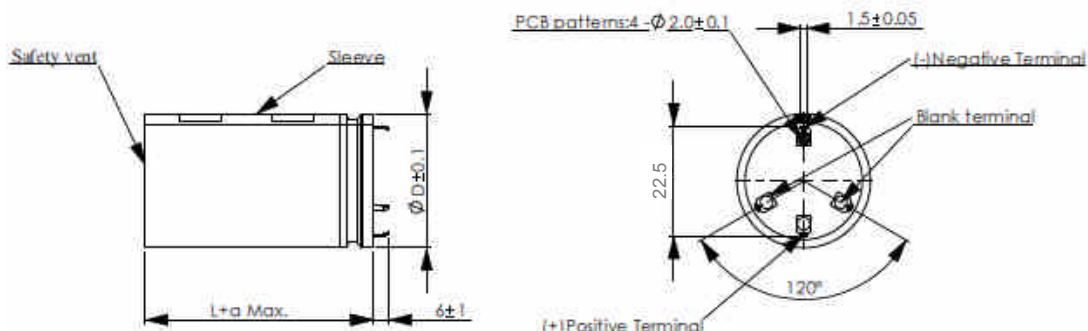
Recommended Applications

- Pulse power demand
- Hybrid battery packs
- Power tools

Specification

Items	Characteristics		
Rated Voltage	2.7 V		
Surge Voltage	2.85 V		
Capacitance Tolerance	-20 % / +20 %		
Operating Temperature	-40 °C to 65 °C		
Storage Temperature	-40 °C to 70 °C		
Life time	10y @ 25 °C	△C	Within ±30% of initial measured value
		ESR	Within 2 times of initial specified value
Cycle Life	500k cycles @ 25 °C	△C	Within ±30% of initial measured value
		ESR	Within 2 times of initial specified value

Dimensions



D	L	a
35	60	2

Standard Ratings

Rated Cap (F) measure at 25°C	Size (mm) ΦDXL	Internal Resistance (mΩ)		LC (mA) 72hrs, 25°C	Stored Energy (Wh)	Specific Energy		Specific Power		Max. Current 1s to 1/2V (A)	Isc (A)	Weight (g)	Part Number
		AC (1kHz)	DC			(Wh/kg)	(Wh/l)	Pd (W/kg)	Pmax (W/kg)				
400	35X60	5	12	1.20	0.4050	5.7857	7.0194	1562	5695	93.103	225	70	SNL2R74073560

