



Hi-Cap
ULTRACAPACITOR

Power Type

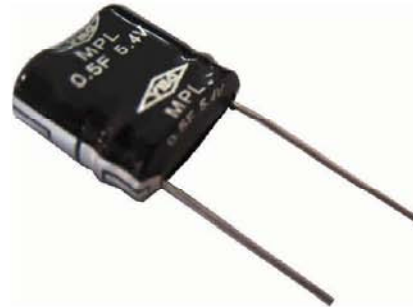
MPL Series

Features

- Passive Balanced Cells
- Higher Voltage Rating

Recommended Applications

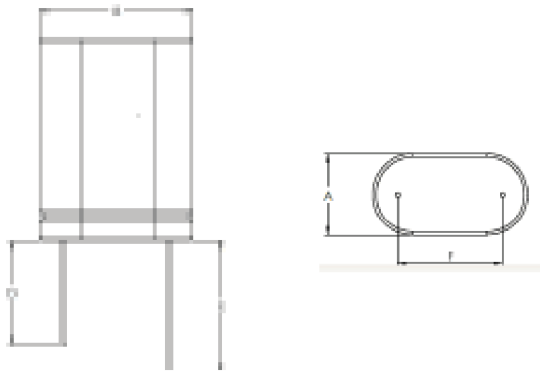
- Hybrid Battery Packs
- Stereo and Audio System
- Battery Alternatives
- Renewable Energy Systems



● Specification

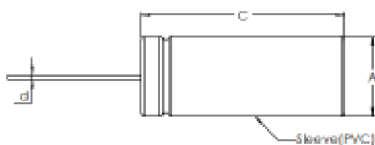
Items		Characteristics	
Rated Voltage	5.4V		
Surge Voltage	5.7V		
Capacitance Tolerance	-20 % / +20 %		
Operating Temperature	-40 °C to 65 °C		
Storage Temperature	-40 °C to 70 °C		
Life time	10y @ 25 °C	△C	Within ±30% of initial measured value
		ESR	Within 2 times of initial specified value
Cycle Life	500k cycles @ 25 °C	△C	Within ±30% of initial measured value
		ESR	Within 2 times of initial specified value

● Dimensions



● Size List

Size	A	B	C	d	D	E	F
9x17x16	9	17	16	0.6	22	27	11.3
9x17x16	9	17	16	0.6	22	27	11.3
9x17x20	9	17	20	0.6	22	27	11.3
11x21x24	11	21	25	0.6	23	29	15.3
11x21x24	11	21	25	0.6	23	29	15.3
11x21x24	11	21	25	0.6	23	29	15.3
11x21x24	11	21	25	0.6	23	29	15.3
11x21x34	11	21	35	0.6	23	29	15.3



● Standard Ratings



Ph: 847-675-1865
Fax: 847-675-3345
Email: sales@icd-sales.com
Website: www.icd-sales.com



Yeong - Long
Technologies 2008
WI-07-02-06 REVA

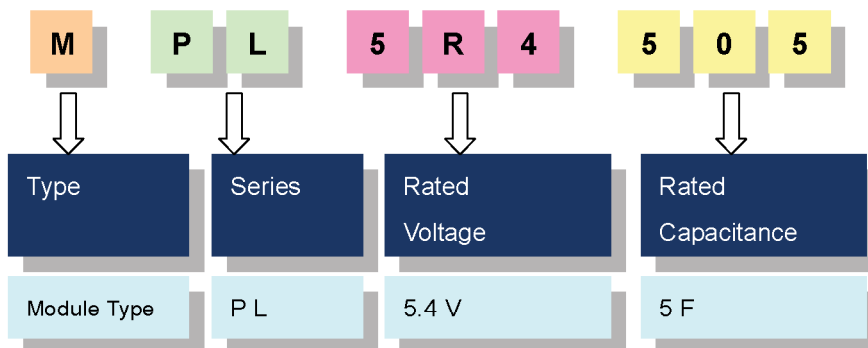


Hi-Cap
ULTRACAPACITOR

● **Standard Ratings**

Rated Cap (F) measure at 25°C	Size (mm) AxBxC	Internal Resistance (mΩ)		LC (mA) 72hrs, 25°C	Stored Energy (Wh)	Specific Energy		Specific Power		Max. Current 1s to 1/2V (A)	Isc (A)	Weight (g)	Part Number
		AC (1kHz)	DC			(Wh/kg)	(Wh/l)	Pd (W/kg)	Pmax (W/kg)				
0.25	9X17X16	1400	4000	0.02	0.0010	0.4050	0.8397	350	2083	0.34	1.35	2.5	MPL5R4254
0.5	9X17X16	700	1400	0.06	0.0020	0.8100	1.6794	1000	4166	0.79	3.86	2.5	MPL5R4504
1	9X17X20	400	900	0.1	0.0041	1.1571	2.5192	1111	5207	1.42	6.00	3.5	MPL5R4105
1.5	11x21x24	300	640	0.12	0.0061	1.3500	1.9347	1215	5400	2.07	8.44	4.5	MPL5R4155
2	11x21x24	240	460	0.14	0.0081	1.6200	2.5796	1521	6075	2.81	11.74	5	MPL5R4205
2.5	11x21x24	220	400	0.15	0.0101	2.0250	3.2245	1750	6627	3.38	13.50	5	MPL5R4255
3	11x21x24	160	280	0.12	0.0122	2.0250	3.8694	2083	7594	4.40	19.29	6	MPL5R4305
5	11x21x34	120	160	0.30	0.0203	2.5313	4.2994	2734	7594	7.50	33.75	8	MPL5R4505

● **Part Numbering System**



Ph: 847-675-1865
 Fax: 847-675-3345
 Email: sales@icd-sales.com
 Website: www.icd-sales.com



Yeong - Long
 Technologies 2008
 WI-07-02-06 REVA