

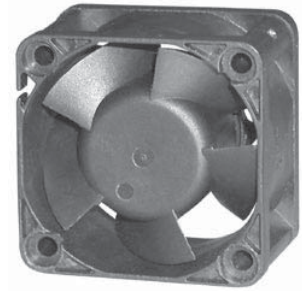
DC FAN

Represented and Distributed by ICD Sales Corp.
www.icd-sales.com

JAMICON®

40X40X20 mm

KF0420-01 Series



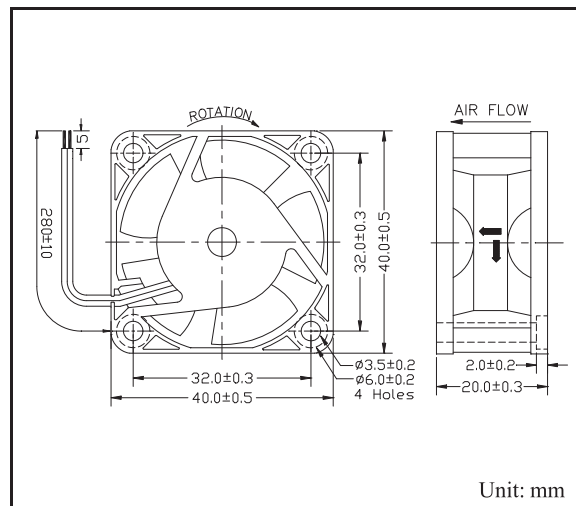
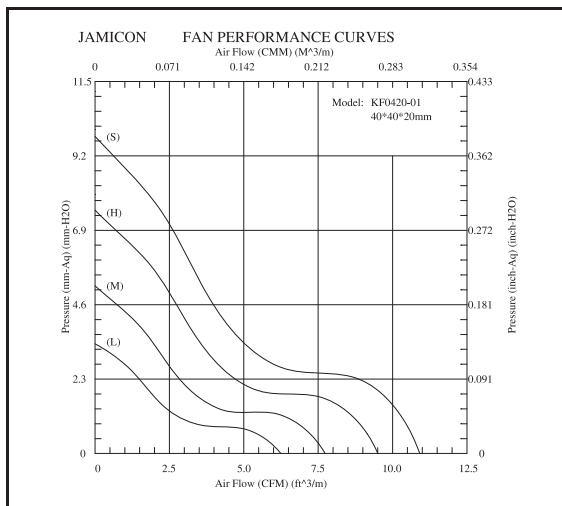
- **Frame** : Plastic Material UL 94V-0
- **Impeller** : Plastic Material UL 94V-0
- **Speed Range** : ±10%

SPECIFICATIONS

Model	Bearing	Rated Voltage (V)	Operating Voltage (V)	Air Flow (CFM)	Static Pressure (inchH ₂ O)	Speed (R.P.M.)	Input Current (Amp)	Input Power (Watt)	Nominal Power (Watt)	Noise (dBA)	Weight (g)
KF0420-5H-01	B, S	5	4.25~5.75	9.50	0.296	7500	0.23	1.15	1.3	32.6	25
KF0420-5M-01	B, S			7.73	0.204	6200	0.15	0.75	0.8	26.5	
KF0420-5L-01	B, S			6.24	0.134	5000	0.09	0.45	0.6	22.0	
KF0420B1S-01	Dual Ball	12	10.2~13.8	10.91	0.386	8500	0.13	1.56	1.6	35.2	
KF0420-1H-01	B, S			9.50	0.296	7500	0.10	1.20	1.6	32.6	
KF0420-1M-01	B, S			7.73	0.204	6200	0.08	0.96	1.3	26.5	
KF0420-1L-01	B, S			6.24	0.134	5000	0.06	0.72	0.8	22.0	
KF0420B2S-01	Dual Ball	24	20.4~27.6	10.91	0.386	8500	0.09	2.16	2.6	35.2	
KF0420-2H-01	B, S			9.50	0.296	7500	0.07	1.68	2.0	32.6	
KF0420-2M-01	B, S			7.73	0.204	6200	0.05	1.20	1.5	26.5	
KF0420-2L-01	B, S			6.24	0.134	5000	0.04	0.96	1.1	22.0	

Specifications subject to change without notice

The 7TH character of Model No means the bearing code. Please refer to the page "PART NUMBER SYSTEM".
Please contact us for detail if your request bearing system is not shown in the above list.



ICD
SALES CORP

Ph: 847-675-1865
Fax: 847-675-3345
Email: sales@icd-sales.com
Website: www.icd-sales.com