

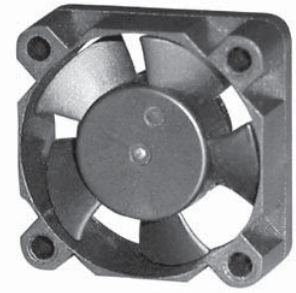
# DC FAN

Represented and Distributed by ICD Sales Corp.  
www.icd-sales.com

**JAMICON**<sup>®</sup>

## 30X30X10 mm

## KF0310-01 Series

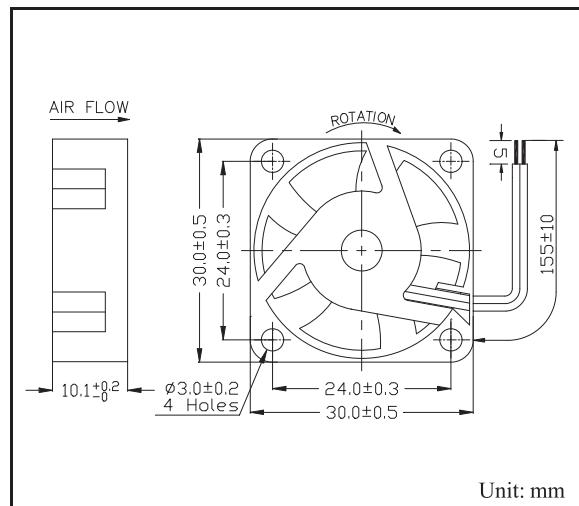
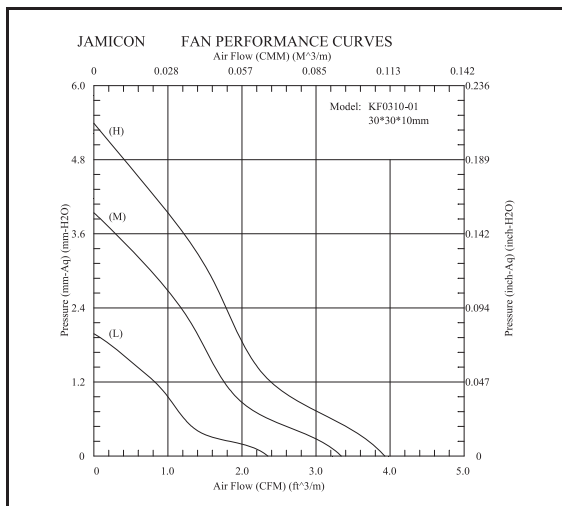


- **Frame** : Plastic Material UL 94V-0
- **Impeller** : Plastic Material UL 94V-0
- **Speed Range** : ±15%

### SPECIFICATIONS

Model	Bearing	Rated Voltage (V)	Operating Voltage (V)	Air Flow (CFM)	Static Pressure (inchH <sub>2</sub> O)	Speed (R.P.M.)	Input Current (Amp)	Input Power (Watt)	Nominal Power (Watt)	Noise (dBA)	Weight (g)
KF0310B5HR01	Dual Ball	5	4.25~5.75	3.93	0.212	10000	0.20	1.00	1.0	31.6	8
KF0310B5MR01				3.34	0.155	8500	0.16	0.80	0.9	27.4	
KF0310B5LR01				2.35	0.080	6000	0.08	0.40	0.5	20.1	
KF0310B1HR01		12	10.2~13.8	3.93	0.212	10000	0.11	1.32	1.4	31.6	
KF0310B1MR01				3.34	0.155	8500	0.08	0.96	1.3	27.4	
KF0310B1LR01				2.35	0.080	6000	0.06	0.72	0.7	20.1	

Specifications subject to change without notice



Ph: 847-675-1865  
Fax: 847-675-3345  
Email: sales@icd-sales.com  
Website: www.icd-sales.com