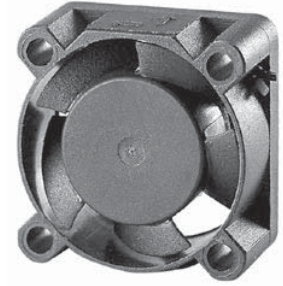


25X25X10 mm

KF0210-00 Series

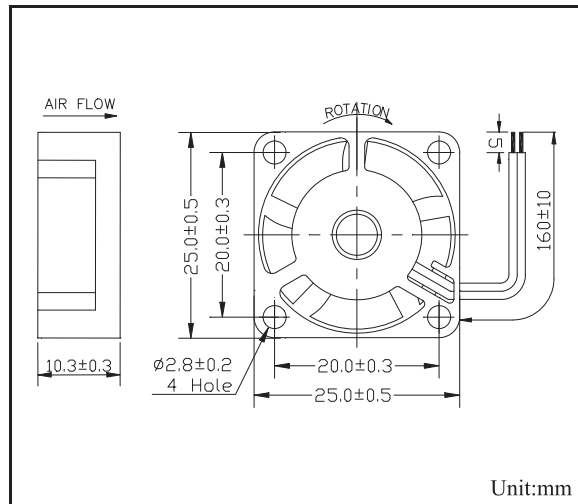
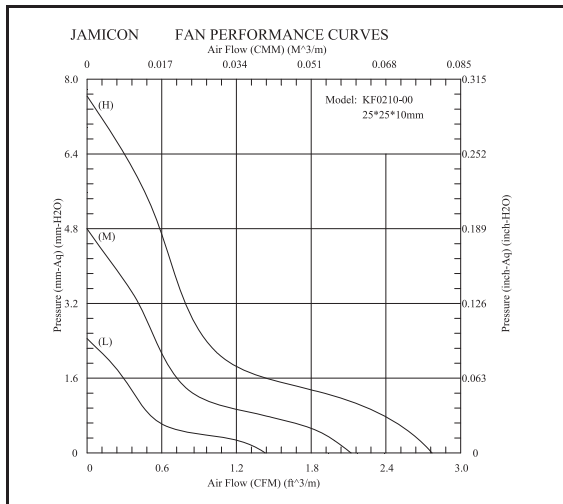
- **Frame** : Plastic Material UL 94V-0
- **Impeller** : Plastic Material UL 94V-0
- **Speed Range** : ±15%



SPECIFICATIONS

Model	Bearing	Rated Voltage (V)	Operating Voltage (V)	Air Flow (CFM)	Static Pressure (inchH ₂ O)	Speed (R.P.M.)	Input Current (Amp)	Input Power (Watt)	Nominal Power (Watt)	Noise (dBA)	Weight (g)
KF0210B5HR00	Dual Ball	5	4.25~5.75	2.54	0.293	13000	0.22	1.10	1.0	32.1	7
KF0210B5MR00				1.91	0.183	10000	0.13	0.65	0.8	26.4	
KF0210B5LR00				1.27	0.091	7000	0.10	0.50	0.5	16.7	
KF0210C5HR00	Ball + Sleeve			2.54	0.293	13000	0.20	1.00	1.0	32.1	
KF0210C5MR00				1.91	0.183	10000	0.16	0.80	0.8	26.4	
KF0210S5HR00				2.54	0.293	13000	0.22	1.10	1.1	32.1	
KF0210S5MR00	Sleeve			1.91	0.183	10000	0.18	0.90	1.0	26.4	
KF0210S5LR00				1.27	0.091	7000	0.12	0.60	0.7	16.7	
KF0210B1HR00				Dual Ball	2.54	0.293	13000	0.09	1.08	1.6	
KF0210B1MR00	1.91				0.183	10000	0.07	0.84	0.8	26.4	
KF0210B1LR00	1.27				0.091	7000	0.06	0.72	0.7	16.7	
KF0210C1HR00	Ball + Sleeve			2.54	0.293	13000	0.10	1.20	1.4	32.1	
KF0210C1MR00		1.91	0.183	10000	0.07	0.84	0.8	26.4			
KF0210S1HR00		2.54	0.293	13000	0.12	1.44	1.5	32.1			
KF0210S1MR00	Sleeve	1.91	0.183	10000	0.10	1.20	1.3	26.4			
KF0210S1LR00		1.27	0.091	7000	0.08	0.96	1.2	16.7			

Specifications subject to change without notice



Unit:mm