

DC FAN

Represented and Distributed by ICD Sales Corp.
www.icd-sales.com

JAMICON®

80X80X25 mm

JF0825-02 Series

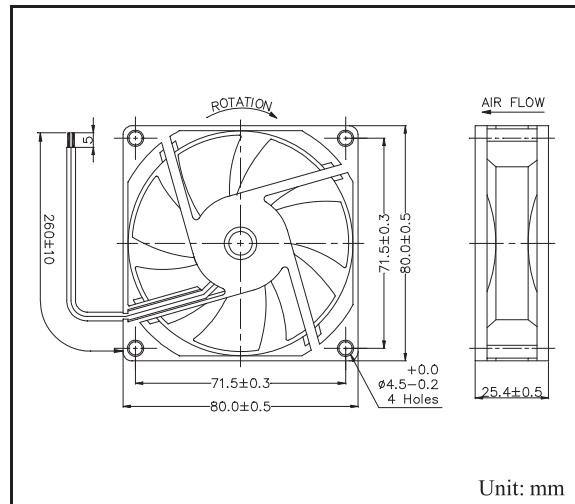
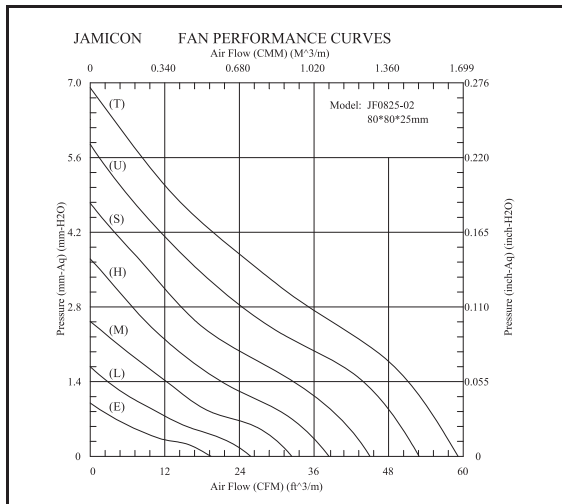


- **Frame** : Plastic Material UL 94V-0
- **Impeller** : Plastic Material UL 94V-0
- **Speed Range** : ±10%

SPECIFICATIONS											
Model	Bearing	Rated Voltage (V)	Operating Voltage (V)	Air Flow (CFM)	Static Pressure (inchH ₂ O)	Speed (R.P.M.)	Input Current (Amp)	Input Power (Watt)	Nominal Current (Amp)	Noise (dBA)	Weight (g)
JF0825-1UR02	B, H	12	10.2 ~ 13.8	52.90	0.230	4000	0.37	4.44	0.37	40.8	80
JF0825-1SR02	B, H, S			45.00	0.187	3500	0.26	3.12	0.26	35.9	
JF0825-1H-02	B, H, S			38.67	0.146	3000	0.19	2.28	0.19	31.4	
JF0825-1M-02	B, H, S			32.42	0.100	2500	0.13	1.56	0.15	27.9	
JF0825-1L-02	B, H, S			25.81	0.066	2000	0.09	1.08	0.10	22.1	
JF0825-1E-02	B, H, S			19.43	0.039	1500	0.06	0.72	0.06	17.5	
JF0825-2TR02	B, H	24	20.4 ~ 27.6	59.12	0.272	4500	0.27	6.48	0.27	43.5	
JF0825-2UR02	B, H			52.90	0.230	4000	0.21	5.04	0.21	40.8	
JF0825-2SR02	B, H, S			45.00	0.187	3500	0.16	3.84	0.17	35.9	
JF0825-2H-02	B, H, S			38.67	0.146	3000	0.13	3.12	0.15	31.4	
JF0825-2M-02	B, H, S			32.42	0.100	2500	0.10	2.40	0.13	27.9	
JF0825-2L-02	B, H, S			25.81	0.066	2000	0.08	1.92	0.10	22.1	
JF0825-2E-02	B, H, S	19.43	0.039	1500	0.04	0.96	0.05	17.5			
JF0825B4SR02	Dual Ball	48	40.8 ~ 60.0	45.00	0.187	3500	0.10	4.80	0.10	35.9	
JF0825B4HR02				38.67	0.146	3000	0.08	3.84	0.08	31.4	
JF0825B4MR02				32.42	0.100	2500	0.06	2.88	0.06	27.9	
JF0825B4LR02				25.81	0.066	2000	0.05	2.40	0.05	22.1	

Specifications subject to change without notice

The 7TH character of Model No means the bearing code. Please refer to the page "PART NUMBER SYSTEM". Please contact us for detail if your request bearing system is not shown in the above list.



Ph: 847-675-1865
Fax: 847-675-3345
Email: sales@icd-sales.com
Website: www.icd-sales.com