

DC FAN

Represented and Distributed by ICD Sales Corp.
www.icd-sales.com



80X80X25 mm

JF0825-00 Series



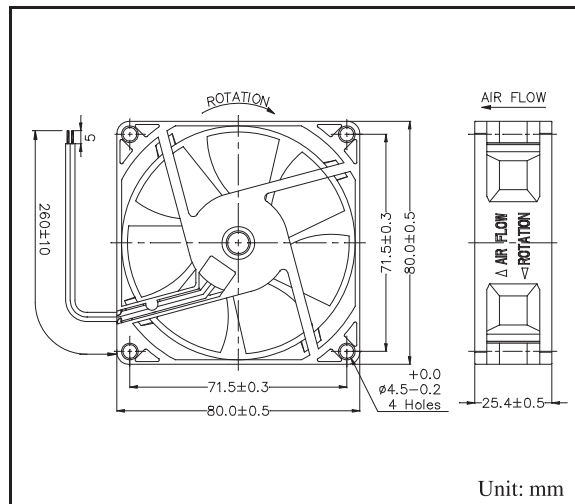
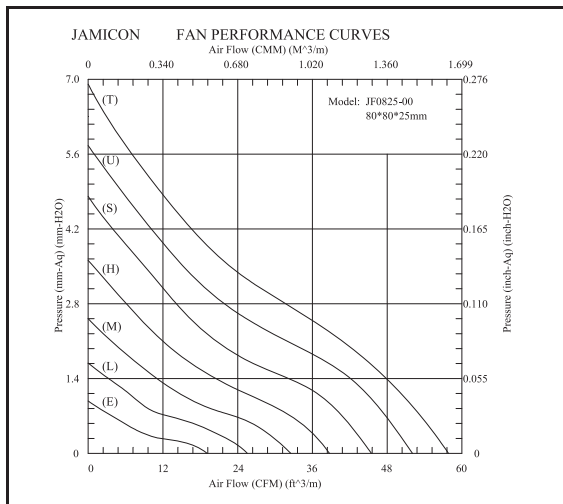
- **Frame** : Plastic Material UL 94V-0
- **Impeller** : Plastic Material UL 94V-0
- **Speed Range** : $\pm 10\%$

SPECIFICATIONS

Model	Bearing	Rated Voltage (V)	Operating Voltage (V)	Air Flow (CFM)	Static Pressure (inchH ₂ O)	Speed (R.P.M.)	Input Current (Amp)	Input Power (Watt)	Nominal Current (Amp)	Noise (dBA)	Weight (g)
JF0825B1UR00	Dual Ball	12	10.2 ~ 13.8	52.06	0.227	4000	0.37	4.44	0.37	40.0	80
JF0825-1SR00	B, S			45.46	0.189	3500	0.26	3.12	0.26	35.8	
JF0825-1H-00	B, S			38.74	0.142	3000	0.19	2.28	0.19	31.0	
JF0825-1M-00	B, S			32.52	0.099	2500	0.13	1.56	0.15	27.8	
JF0825-1L-00	B, S			25.54	0.067	2000	0.09	1.08	0.10	22.2	
JF0825-1E-00	B, S			19.09	0.039	1500	0.06	0.72	0.06	15.9	
JF0825B2TR00	Dual Ball	24	20.4 ~ 27.6	57.84	0.272	4500	0.27	6.48	0.27	42.4	
JF0825B2UR00	Dual Ball			52.06	0.227	4000	0.21	5.04	0.21	40.0	
JF0825-2SR00	B, S			45.46	0.189	3500	0.16	3.84	0.17	35.8	
JF0825-2H-00	B, S			38.74	0.142	3000	0.13	3.12	0.15	31.0	
JF0825-2M-00	B, S			32.52	0.099	2500	0.10	2.40	0.13	27.8	
JF0825-2L-00	B, S			25.54	0.067	2000	0.08	1.92	0.10	22.2	
JF0825-2E-00	B, S	19.09	0.039	1500	0.04	0.96	0.05	15.9			
JF0825B4SR00	Dual Ball	48	40.8 ~ 60.0	45.46	0.189	3500	0.10	4.80	0.10	35.8	
JF0825B4HR00				38.74	0.142	3000	0.08	3.84	0.08	31.0	
JF0825B4MR00				32.52	0.099	2500	0.06	2.88	0.06	27.8	
JF0825B4LR00				25.54	0.067	2000	0.05	2.40	0.05	22.2	

Specifications subject to change without notice

The 7TH character of Model No means the bearing code. Please refer to the page "PART NUMBER SYSTEM". Please contact us for detail if your request bearing system is not shown in the above list.



Ph: 847-675-1865
Fax: 847-675-3345
Email: sales@icd-sales.com
Website: www.icd-sales.com