

DC FAN

Represented and Distributed by ICD Sales Corp.
www.icd-sales.com

JAMICON®

60X60X25 mm

JF0625-01 Series



- **Frame** : Plastic Material UL 94V-0
- **Impeller** : Plastic Material UL 94V-0
- **Speed Range** : ±10%

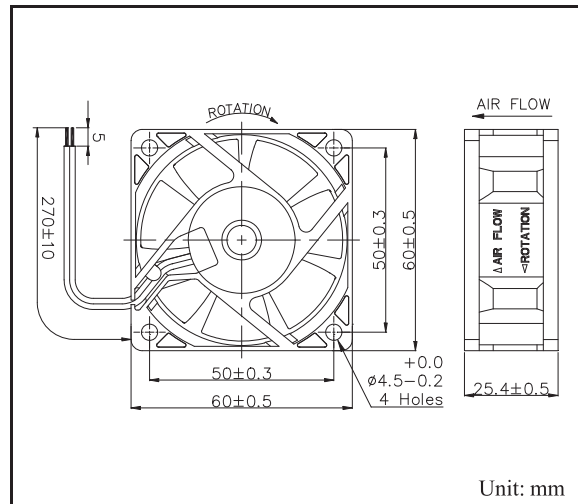
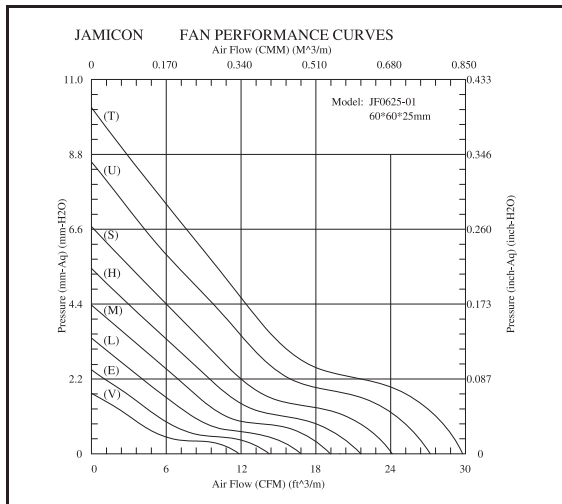
SPECIFICATIONS

Model	Bearing	Rated Voltage (V)	Operating Voltage (V)	Air Flow (CFM)	Static Pressure (inchH ₂ O)	Speed (R.P.M.)	Input Current (Amp)	Input Power (Watt)	Nominal Current (Amp)	Noise (dBA)	Weight (g)
JF0625B1TR01	Dual Ball	12	10.2 ~ 13.8	29.77	0.401	6000	0.37	4.44	0.38	42.1	55
JF0625-1UR01	B, H			27.17	0.338	5500	0.29	3.48	0.30	40.1	
JF0625-1S-01	B, H, S			24.12	0.263	5000	0.22	2.64	0.22	37.2	
JF0625-1H-01	B, H, S			21.56	0.215	4500	0.20	2.40	0.23	34.5	
JF0625-1M-01	B, H, S			19.15	0.172	4000	0.16	1.92	0.20	30.5	
JF0625-1L-01	B, H, S			16.78	0.134	3500	0.13	1.56	0.17	27.4	
JF0625-1E-01	B, H, S			14.26	0.097	3000	0.11	1.32	0.11	23.1	
JF0625-1V-01	B, H, S			11.84	0.070	2500	0.08	0.96	0.08	20.1	
JF0625B2TR01	Dual Ball	24	20.4 ~ 27.6	29.77	0.401	6000	0.20	4.80	0.21	42.1	
JF0625-2UR01	B, H			27.17	0.338	5500	0.16	3.84	0.16	40.1	
JF0625-2S-01	B, H			24.12	0.263	5000	0.13	3.12	0.14	37.2	
JF0625-2H-01	B, H, S			21.56	0.215	4500	0.12	2.88	0.17	34.5	
JF0625-2M-01	B, H, S			19.15	0.172	4000	0.11	2.64	0.13	30.5	
JF0625-2L-01	B, H, S			16.78	0.134	3500	0.10	2.40	0.12	27.4	
JF0625-2E-01	B, H, S			14.26	0.097	3000	0.07	1.68	0.07	23.1	
JF0625-2V-01	B, H, S			11.84	0.070	2500	0.06	1.44	0.06	20.1	

Specifications subject to change without notice

The 7TH character of Model No means the bearing code. Please refer to the page "PART NUMBER SYSTEM".

Please contact us for detail if your request bearing system is not shown in the above list.



Ph: 847-675-1865
Fax: 847-675-3345
Email: sales@icd-sales.com
Website: www.icd-sales.com