

DC FAN

Represented and Distributed by ICD Sales Corp.
www.icd-sales.com

JAMICON®

60X60X20 mm

JF0620-00 Series



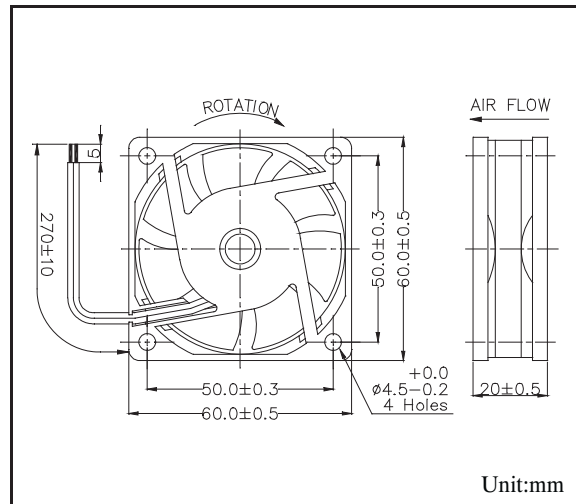
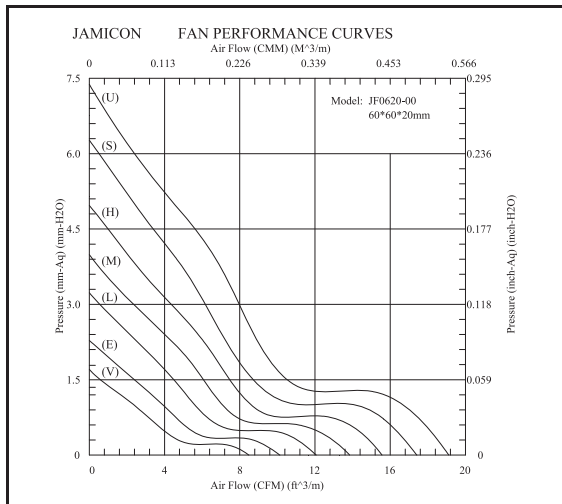
- **Frame** : Plastic Material UL 94V-0
- **Impeller** : Plastic Material UL 94V-0
- **Speed Range** : ±10%

SPECIFICATIONS

Model	Bearing	Rated Voltage (V)	Operating Voltage (V)	Air Flow (CFM)	Static Pressure (inchH ₂ O)	Speed (R.P.M.)	Input Current (Amp)	Input Power (Watt)	Nominal Current (Amp)	Noise (dBA)	Weight (g)
JF0620B1UR00	Dual Ball	12	10.2 ~ 13.8	19.11	0.291	5500	0.19	2.28	0.20	35.9	50
JF0620-1S-00	B, S			17.41	0.247	5000	0.17	2.04	0.18	32.8	
JF0620-1H-00	B, S			15.56	0.196	4500	0.15	1.80	0.17	29.4	
JF0620-1M-00	B, S			13.84	0.157	4000	0.13	1.56	0.15	26.4	
JF0620-1L-00	B, S			12.06	0.127	3500	0.10	1.20	0.13	23.6	
JF0620-1E-00	B, S			10.13	0.090	3000	0.09	1.08	0.09	20.3	
JF0620-1V-00	B, S			8.48	0.068	2500	0.07	0.84	0.07	17.1	
JF0620B2UR00	Dual Ball	24	20.4 ~ 27.6	19.11	0.291	5500	0.12	2.88	0.13	35.9	
JF0620-2S-00	B, S			17.41	0.247	5000	0.10	2.40	0.11	32.8	
JF0620-2H-00	B, S			15.56	0.196	4500	0.09	2.16	0.13	29.4	
JF0620-2M-00	B, S			13.84	0.157	4000	0.08	1.92	0.11	26.4	
JF0620-2L-00	B, S			12.06	0.127	3500	0.07	1.68	0.07	23.6	
JF0620-2E-00	B, S			10.13	0.090	3000	0.06	1.44	0.06	20.3	
JF0620-2V-00	B, S			8.48	0.068	2500	0.05	1.20	0.05	17.1	

Specifications subject to change without notice

The 7TH character of Model No means the bearing code. Please refer to the page "PART NUMBER SYSTEM".
Please contact us for detail if your request bearing system is not shown in the above list.



Ph: 847-675-1865
Fax: 847-675-3345
Email: sales@icd-sales.com
Website: www.icd-sales.com