

120X120X38 mm

JA1238-0 Series

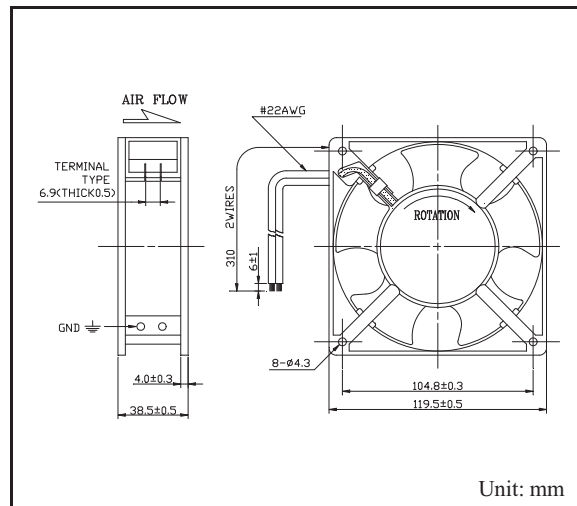
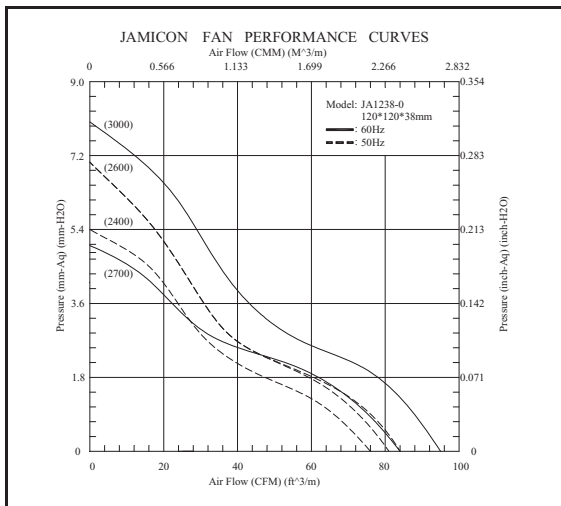


- **Motor** : Two-pole shaded pole induction motor
- **Frame** : Aluminum Alloy, Painted black
- **Impeller** : Retardant thermoplastic in black color, rated UL94V-0
- **Speed Range** : ±10%
- **Impedance protected**

SPECIFICATIONS

Model	Bearing	Nominal Voltage (V)	Frequency (Hz)	Air Flow (CFM)	Static Pressure (inchH ₂ O)	Speed (R.P.M.)	nominal Current (Amp)	Input Power (Watt)	Noise (dBA)	Weight (g)	
JA1238H1B0	Dual ball	110-120	50	84.0	0.277	2600	0.27	23	44	520	
JA1238M1B0			60	95.0	0.316	3000		21	50		
JA1238H1S0			Sleeve	50	76.0	0.215	2400	0.20	14		42
				60	84.0	0.179	2700		13		45
JA1238M1S0	Dual ball			50	84.0	0.277	2600	0.27	23		44
				60	95.0	0.316	3000		21		50
JA1238H2B0			Sleeve	50	76.0	0.215	2400	0.20	14		42
				60	84.0	0.179	2700		13		45
JA1238M2B0	Dual ball	50		81.0	0.277	2600	0.13	20	44		
		60		95.0	0.316	3000		17	50		
JA1238H2S0		Sleeve	50	76.0	0.215	2400	0.12	14	42		
			60	84.0	0.179	2700		13	45		
JA1238M2S0	Dual ball		50	81.0	0.277	2600	0.13	20	44		
			60	95.0	0.316	3000		17	50		
JA1238H2S0		Sleeve	50	76.0	0.215	2400	0.12	14	42		
			60	84.0	0.179	2700		13	45		

Specifications subject to change without notice



Unit: mm