

AC FAN

Represented and Distributed by ICD Sales Corp.
www.icd-sales.com

JAMICON[®]

120X120X38 mm

JA1238-0N Series



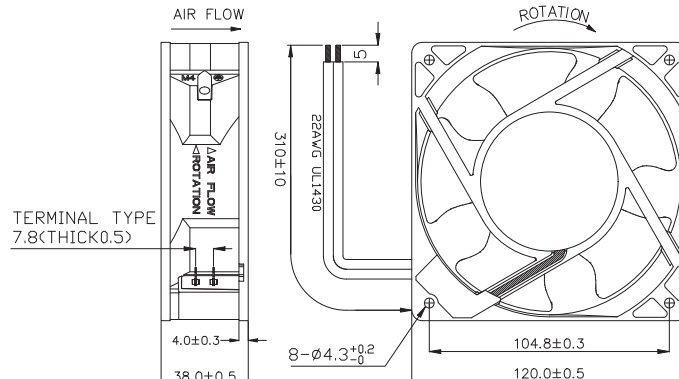
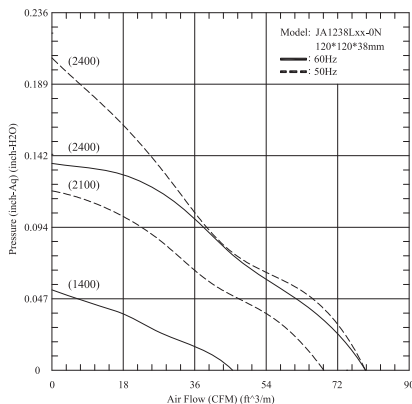
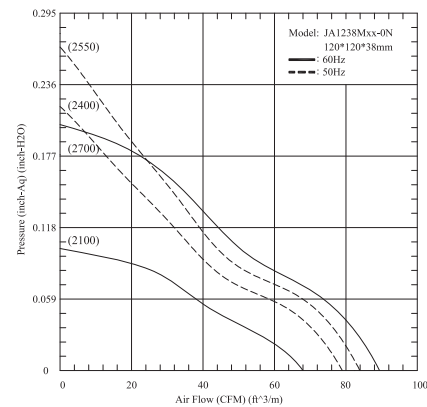
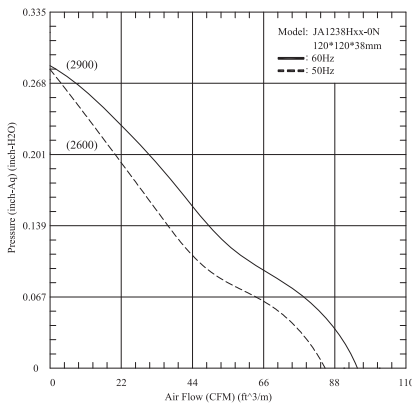
- **Motor** : Two-pole shaded pole induction motor
- **Frame** : Aluminum Alloy, Painted black
- **Impeller** : Retardant thermoplastic in black color, rated UL94V-0
- **Speed Range** : ±10%
- **Impedance protected**

SPECIFICATIONS

Model	Bearing	Nominal Voltage (V)	Frequency (Hz)	Air Flow (CFM)	Static Pressure (inchH ₂ O)	Speed (R.P.M.)	nominal Current (Amp)	Input Power (Watt)	Noise (dBA)	Weight (g)
JA1238H1-0N	B, S	110-120	50	85	0.281	2600	0.27	18	45	510
			60	95	0.284	2900		15	47	
JA1238M1-0N	B, S		50	83	0.267	2550	0.20	16	44	
			60	89	0.203	2700		14	45	
JA1238L1-0N	B, S	220-240	50	79	0.206	2400	0.16	15	42	
			60	79	0.137	2400		14	42	
JA1238H2-0N	B, S		50	85	0.281	2600	0.13	20	45	
			60	95	0.284	2900		17	47	
JA1238M2-0N	B, S	50	79	0.206	2400	0.09	13	42		
		60	68	0.101	2100		12	37		
JA1238L2-0N	B, S	115/230	50	68	0.119	2100	0.07	10	37	
			60	45	0.053	1400		9	27	
JA1238HD-0N	B, S		50	85	0.281	2600	0.25/0.13	19	45	
			60	95	0.284	2900		16	47	

Specifications subject to change without notice

The 9TH character of Model No means the bearing code. Please refer to the page "AC FAN PART NUMBER SYSTEM".



Ph: 847-675-1865
Fax: 847-675-3345
Email: sales@icd-sales.com
Website: www.icd-sales.com