

# AC FAN

Represented and Distributed by ICD Sales Corp.  
www.icd-sales.com

**JAMICON**<sup>®</sup>

120X120X25 mm

JA1225-0N Series

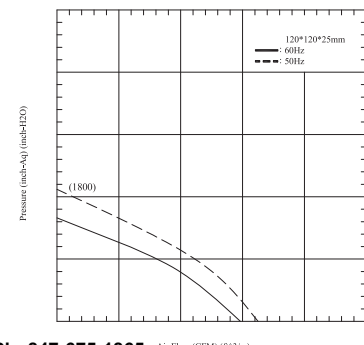
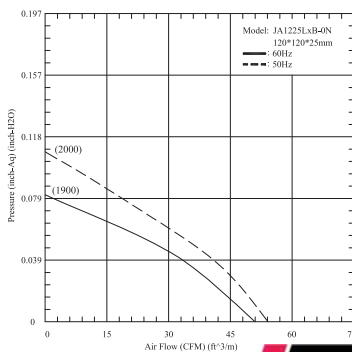
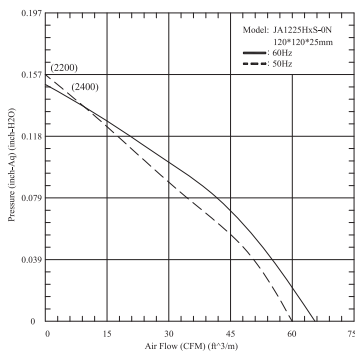
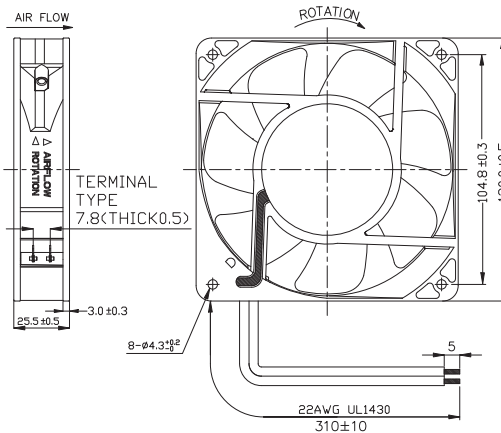
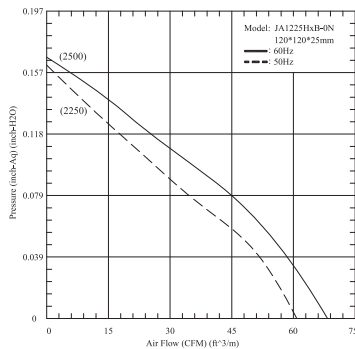


- **Motor** : Two-pole shaded pole induction motor
- **Frame** : Aluminum Alloy, Painted black
- **Impeller** : Retardant thermoplastic in black color, rated UL94V-0
- **Speed Range** : ±10%
- **Impedance protected**

## SPECIFICATIONS

Model	Bearing	Nominal Voltage (V)	Frequency (Hz)	Air Flow (CFM)	Static Pressure (inchH <sub>2</sub> O)	Speed (R.P.M.)	Nominal Current (Amp)	Input Power (Watt)	Noise (dBA)	Weight (g)	
JA1225H1B0N	Dual Ball	110 - 120	50	60.82	0.162	2250	0.18	18	39.4	325	
JA1225L1B0N			60	68.26	0.167	2500		15	42.5		
JA1225H1S0N			Sleeve	50	54.09	0.107	2000	0.10	10		36.3
				60	50.92	0.080	1900		9		35.0
JA1225L1S0N	50			59.96	0.157	2200	0.18	18	39.2		
	60			65.49	0.151	2400		15	41.8		
JA1225H2B0N	Dual Ball		220 - 240	50	60.82	0.162	2250	0.09	17		39.4
				60	68.26	0.167	2500		15		42.5
JA1225L2B0N		Sleeve		50	54.09	0.107	2000	0.05	10		36.3
				60	50.92	0.080	1900		9		35.0
JA1225H2S0N	50			59.96	0.157	2200	0.09	17	39.2		
	60			65.49	0.151	2400		15	41.8		
JA1225L2S0N	50	48.76		0.083	1800	0.05	10	33.5			
	60	44.47		0.065	1650		9	30.3			

Specifications subject to change without notice



Ph: 847-675-1865  
Fax: 847-675-3345  
Email: sales@icd-sales.com  
Website: www.icd-sales.com