

AC FAN

Represented and Distributed by ICD Sales Corp.
www.icd-sales.com

JAMICON[®]

92X92X25 mm

JA0925-0N Series

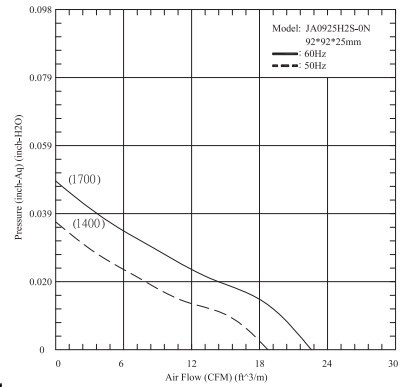
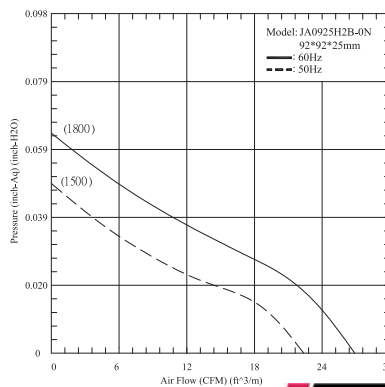
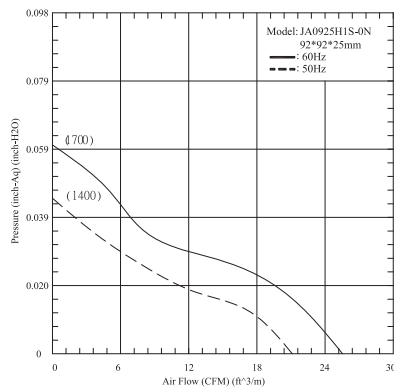
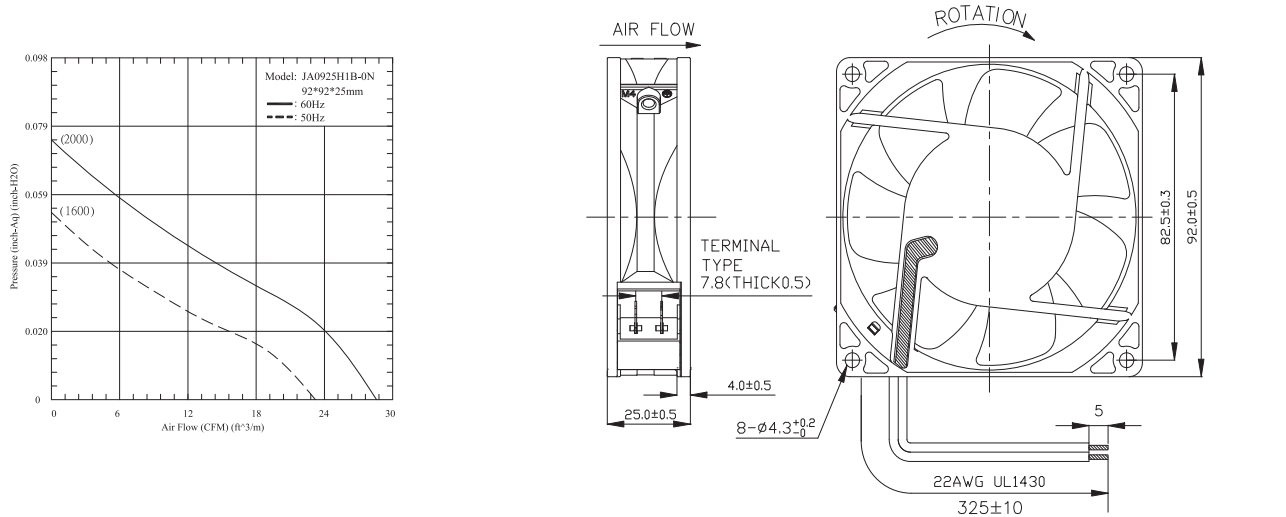


- **Motor** : Two-pole shaded pole induction motor
- **Frame** : Aluminum Alloy, Painted black
- **Impeller** : Retardant thermoplastic in black color, rated UL94V-0
- **Speed Range** : ±10%
- **Impedance protected**

SPECIFICATIONS

Model	Bearing	Nominal Voltage (V)	Frequency (Hz)	Air Flow (CFM)	Static Pressure (inchH ₂ O)	Speed (R.P.M.)	Nominal Current (Amp)	Input Power (Watt)	Noise (dBA)	Weight (g)
JA0925H1B0N	Dual Ball	110 - 120	50	23.24	0.054	1600	0.11	10	20.3	205
			60	28.59	0.075	2000		8	24.9	
JA0925H1S0N	Sleeve		50	19.7	0.041	1400		10	15.1	
			60	23.19	0.053	1700		8	21.9	
JA0925H2B0N	Dual Ball	220 - 240	50	21.37	0.046	1500	0.05	10	16.3	
			60	25.78	0.059	1800		8	24.7	
JA0925H2S0N	Sleeve		50	18.71	0.037	1400		10	16.3	
			60	22.56	0.049	1700		8	20.7	

Specifications subject to change without notice



ICD
SALES CORP

Ph: 847-675-1865
Fax: 847-675-3345
Email: sales@icd-sales.com
Website: www.icd-sales.com