

# AC FAN

Represented and Distributed by ICD Sales Corp.  
www.icd-sales.com

**JAMICON**<sup>®</sup>

## 80X80X25 mm

## JA0825-0N Series

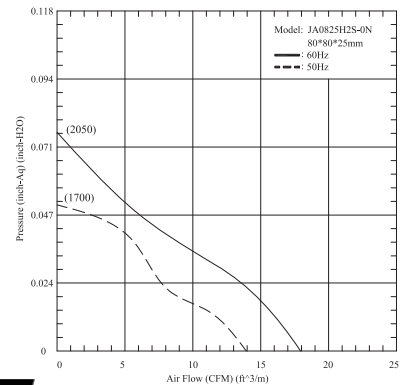
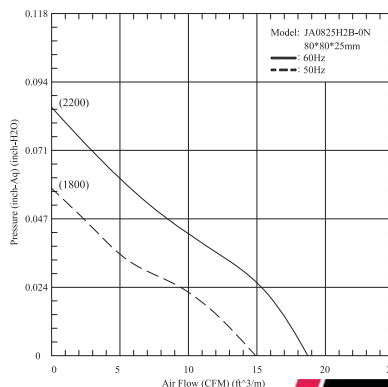
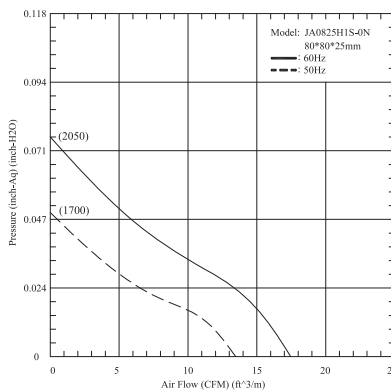
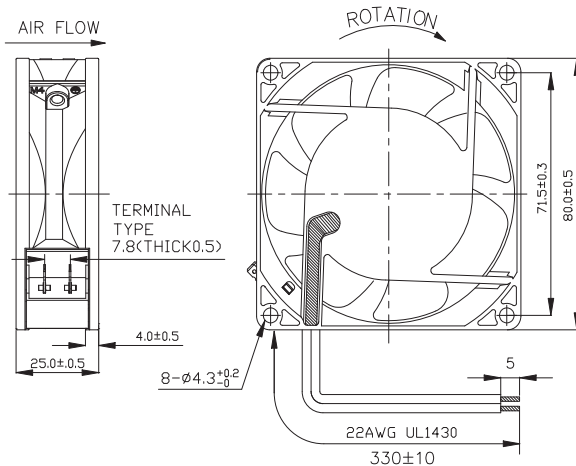
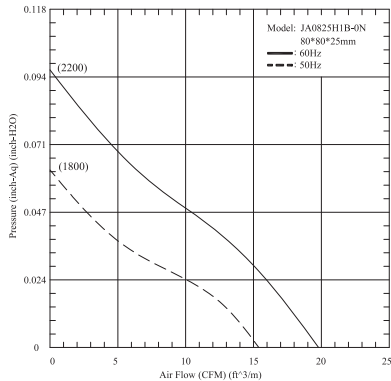


- **Motor** : Two-pole shaded pole induction motor
- **Frame** : Aluminum Alloy, Painted black
- **Impeller** : Retardant thermoplastic in black color, rated UL94V-0
- **Speed Range** : ±10%
- **Impedance protected**

### SPECIFICATIONS

Model	Bearing	Nominal Voltage (V)	Frequency (Hz)	Air Flow (CFM)	Static Pressure (inchH <sub>2</sub> O)	Speed (R.P.M.)	Nominal Current (Amp)	Input Power (Watt)	Noise (dBA)	Weight (g)
JA0825H1B0N	Dual Ball	110 - 120	50	15.39	0.063	1800	0.11	10	19.6	195
			60	19.79	0.098	2200		8	24.7	
JA0825H1S0N	Sleeve		50	13.46	0.050	1700		10	15.2	
			60	17.45	0.076	2050		8	20.8	
JA0825H2B0N	Dual Ball	220 - 240	50	14.91	0.059	1800	0.05	10	19.7	
			60	18.72	0.087	2200		8	23.1	
JA0825H2S0N	Sleeve		50	13.93	0.052	1700		10	16.6	
			60	17.94	0.077	2050		8	21.9	

Specifications subject to change without notice



Ph: 847-675-1865  
Fax: 847-675-3345  
Email: sales@icd-sales.com  
Website: www.icd-sales.com