

# LARGE CAN TYPE

# XP

Series

Screw Terminal, Wide Temperature Range



- High temperature 105°C, high ripple current and high reliability.
- Long life for 5000 hours.



## ● SPECIFICATION

Item	Characteristic					
Operation Temperature Range	-40 ~ +105°C					
Rated Working Voltage	200 ~ 450VDC					
Capacitance Tolerance (120Hz 20°C)	±20%(M)					
Leakage Current (20°C)	$I \leq 0.02CV$ or $5 \text{ (mA)}$ *Whichever is smaller after 5 minutes I : Leakage Current(μA) C : Rated Capacitance(μF) V : Working Voltage(V)					
Surge Voltage (20°C)	W.V.	200	250	350	400	450
	S.V.	250	300	400	450	500
Dissipation Factor (tan δ)(MAX) (120Hz 20°C)	W.V.	200	250	350	400	450
	tan δ	0.20	0.20	0.15	0.15	0.15
Low Temperature Stability	Impedance ratio at 120Hz					
	Rated Voltage (V)	200~450				
	-25°C / +20°C	8				
Load Life	After 5000 hours application of W.V. and +105°C ripple current value, the capacitor shall meet the following limits. (DC + ripple peak voltage ≤ rate working voltage)					
	Capacitance Change	≤ ±20% of initial value				
	Dissipation Factor	≤200% of initial specified value				
	Leakage current	≤initial specified value				
Shelf Life	At +105°C no voltage application after 1000 hours, the capacitor shall meet the limits for load life characteristics. (with voltage treatment)					

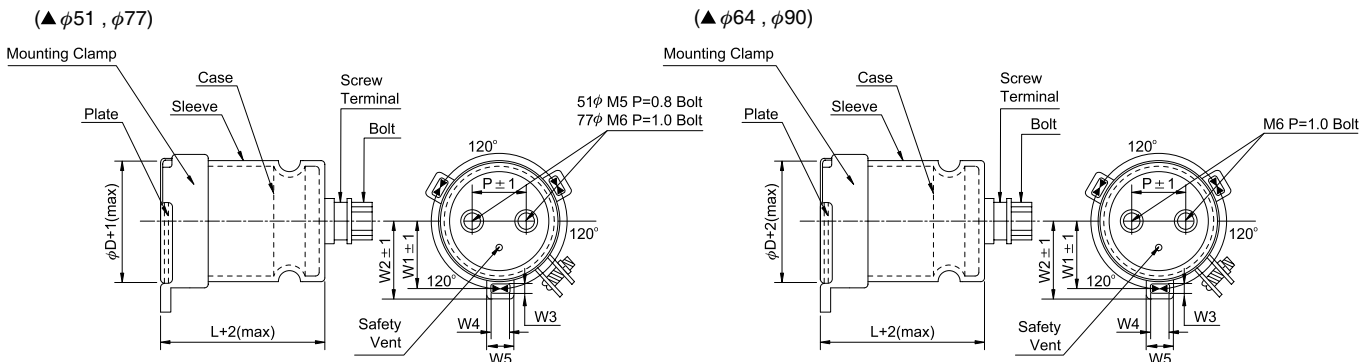
## ● TERMINAL TYPE

φD	W1	W2	W3	W4	W5	P
51	32.5	37.5	4.5	7.0	13.0	22.0
64	38.5	42.8	4.5	7.0	13.0	28.5
77	44.8	49.0	4.5	7.0	13.0	32.0
90	52.3	58.8	5.0	8.0	16.0	32.0

## ● RIPPLE CURRENT COEFFICIENTS

Frequency(Hz)	60	120	300	1k	≥10k
Multiplier	0.70	1.00	1.10	1.30	1.40

Temperature(°C)	40	60	85	105
Multiplier	2.44	2.16	2.00	1.00



7170 N. Ridgeway  
 Lincolnwood, IL 60712  
 Ph: 847-675-1865  
 Fax: 847-675-3345  
 Email: sales@icd-sales.com  
 Website: www.icd-sales.com

● CASE SIZE & MAX RIPPLE CURRENT

Case size : D x L (mm)  
Max ripple current : A(rms) 105°C 120Hz

μF	Code	V(Code) φD	200 (2D)				250 (2E)				350 (2V)			
			51	64	77	90	51	64	77	90	51	64	77	90
680	681													
1000	102										75			
1200	122										3.06			
1500	152										75			
1800	182										3.35			
2200	222										96			
2700	272										4.17			
3300	332										96			
3900	392										4.57			
4700	472										130			
5600	562										5.78			
6800	682											96		
8200	822											6.00		
10000	103											115		
12000	123											7.18		
15000	153											130		
22000	223											8.24		
33000	333											155	115	
												9.79	8.95	
												195	130	
												11.87	10.30	
													155	
													12.27	
														157
														13.86
														157
														15.31
														196
														18.50
														236
														22.50
														L(mm)
														R.C.

μF	Code	V(Code) φD	400 (2G)				450 (2W)							
			51	64	77	90	51	64	77	90				
1000	102		75							96				
1200	122		3.40							4.25				
1500	152		96							115				
1800	182		4.14							5.05				
2200	222		115							130				
2700	272		5.02							5.97				
3300	332		130								96			
3900	392		5.81								6.20			
4700	472		130	96							115			
5600	562		6.43	6.22							7.41			
6800	682			115							130	115		
8200	822			7.45							8.67	8.69		
10000	103			130							155	130		
12000	123			8.69							10.37	10.14		
				155	115						195			
				10.23	9.18						12.53			
				195	130							155		
				12.47	10.62							13.07		
				195	155							195	157	
				13.61	12.53							15.82	14.89	
													196	
													18.10	
													196	
													19.88	
													236	
													23.88	
													L(mm)	
													R.C.	