

LARGE CAN TYPE

KP

Series

Screw Terminal Type



- High ripple current characteristic.
- Long life for 2000 hours at 85°C.



SPECIFICATION

Item	Characteristic																
Operation Temperature Range	-40 ~ +85°C								-25 ~ +85°C								
Rated Working Voltage	6.3 ~ 100VDC								160 ~ 450VDC								
Capacitance Tolerance (120Hz 20°C)	±20%(M)																
Leakage Current (20°C)	I ≤ 0.02CV or 5 (mA) *Whichever is smaller after 5 minutes I : Leakage Current(μA) C : Rated Capacitance(μF) V : Working Voltage(V)																
Surge Voltage (20°C)	W.V.	6.3	10	16	25	35	50	63	80	100	160	200	250	350	400	450	
	S.V.	8	13	20	32	44	63	79	100	125	200	250	300	400	450	500	
Dissipation Factor (tan δ) (120Hz 20°C)	W.V.	6.3	10	16	25	35	50	63	80	100	160	200	250	350	400	450	
	tan δ	φ35	0.75	0.75	0.60	0.40	0.30	0.25	0.20	0.20	0.15	0.15	0.15	0.15	0.20	0.20	0.20
		φ51	1.00	1.00	0.70	0.50	0.50	0.30	0.25	0.20	0.20	0.15	0.15	0.15	0.20	0.20	0.20
		φ64	1.30	1.30	0.80	0.70	0.60	0.50	0.30	0.25	0.25	0.20	0.20	0.20	0.25	0.25	0.25
		φ77	1.50	1.50	1.00	0.80	0.70	0.60	0.40	0.30	0.25	0.20	0.20	0.20	0.25	0.25	0.25
φ90	1.50	1.50	1.00	0.80	0.70	0.60	0.40	0.30	0.25	0.20	0.20	0.20	0.25	0.25	0.25		
Low Temperature Stability	Impedance ratio at 120Hz																
	Rated Voltage (V)	10~100								160~450							
	-25°C / +20°C	/								8							
	-40°C / +20°C	12								/							
Load Life	After 2000 hours application of W.V. and +85°C ripple current value, the capacitor shall meet the following limits. (DC + ripple peak voltage ≤ rate working voltage)																
	Capacitance Change	≤ ±15% of initial value															
	Dissipation Factor	≤ 175% of initial specified value															
	Leakage current	≤ initial specified value															
Shelf Life	At +85°C, no voltage application after 1000 hours, the capacitor shall meet the limits for load life characteristics. (With voltage treatment)																

TERMINAL TYPE

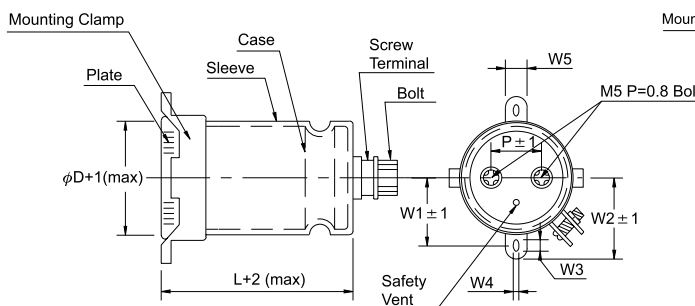
φD	W1	W2	W3	W4	W5	P
35	24.0	30.0	7.0	3.5	10.0	12.7
51	32.5	37.5	4.5	7.0	13.0	21.8
64	38.5	42.8	4.5	7.0	13.0	28.2
77	44.8	49.0	4.5	7.0	13.0	31.4
90	52.3	58.8	5.0	8.0	16.0	31.4

RIPPLE CURRENT COEFFICIENTS

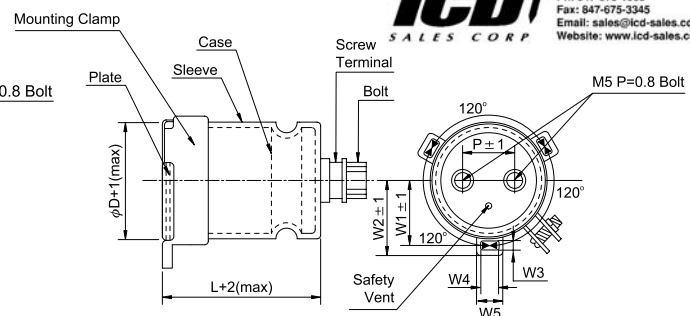
Frequency(Hz)	60	120	1k	10k	100k
W.V.	Multiplier				
6.3 ~ 35V	0.90	1.00	1.05	1.10	1.10
50 ~ 100V	0.90	1.00	1.10	1.15	1.15
160 ~ 450V	0.80	1.00	1.20	1.40	1.40

Temperature(°C)	≤60	70	85
Multiplier	1.80	1.60	1.00

(▲ φ35)



(▲ φ51, φ64, φ77, φ90)



ICD SALES CORP.
 7170 N. Ridgeway
 Lincolnwood, IL 60712
 Ph: 847-675-1865
 Fax: 847-675-3345
 Email: sales@icd-sales.com
 Website: www.icd-sales.com

● CASE SIZE & MAX RIPPLE CURRENT

Case size : D x L (mm)
Max ripple current : A(rms) 85°C 120Hz

μF	V(Code)		6.3 (0J)		10 (1A)		16 (1C)	
	Code	Item	DxL	R.C.	DxL	R.C.	DxL	R.C.
22000		223					35x50	4.16
33000		333			35x50	4.14	35x60	5.51
39000		393			35x50	4.50	35x80	6.80
47000		473	35x50	4.94	35x60	5.35	35x80	7.47
56000		563	35x60	4.96	35x80	6.63	35x100	9.03
68000		683	35x60	5.47	35x80	7.31	35x121	9.88
82000		823	35x80	6.82	35x80	8.02	35x121	10.85
100000		104	35x80	7.53	35x121	9.21	51x80	10.86
120000		124	35x121	9.15	51x80	9.23	51x90	11.74
150000		154	51x80	9.51	51x80	10.32	51x121	12.48
180000		184	51x80	10.42	51x90	11.50	51x121	13.67
220000		224	51x100	12.39	51x121	13.66	64x100	14.75
270000		274	64x100	13.68	51x121	15.13	64x115	17.37
330000		334	64x100	15.12	64x121	17.25	77x121	18.19
390000		394	64x121	16.97	64x121	18.75	77x121	19.78
470000		474	64x121	18.63	77x121	19.25		
560000		564	77x121	18.80	77x121	21.01		
680000		684	77x121	20.71				

μF	V(Code)		25 (1E)		35 (1V)		50 (1H)	
	Code	Item	DxL	R.C.	DxL	R.C.	DxL	R.C.
6800		682					35x50	3.26
8200		822					35x50	3.58
10000		103			35x50	3.53	35x60	4.27
12000		123			35x50	3.87	35x60	4.68
15000		153			35x60	3.96	35x80	5.94
18000		183	35x50	3.35	35x60	4.34	35x80	6.51
22000		223	35x60	4.01	35x80	4.93	35x121	6.70
27000		273	35x80	5.04	35x80	5.46	35x121	7.42
33000		333	35x80	5.58	35x121	7.20	51x80	7.55
39000		393	35x80	6.06	35x121	7.83	51x80	8.20
47000		473	35x121	7.54	51x80	8.26	51x100	9.80
56000		563	35x121	8.23	51x80	9.02	51x100	10.70
68000		683	51x100	9.13	51x100	10.35	64x100	11.34
82000		823	51x100	10.03	51x100	11.36	64x100	12.46
100000		104	51x121	11.26	64x100	11.48	64x144	12.81
120000		124	51x121	12.33	64x121	13.13	64x144	14.03
150000		154	64x100	12.68	64x144	15.42	77x144	15.86
180000		184	64x100	13.89	64x144	16.89		
220000		224	64x144	16.05	77x144	17.79		
270000		274	77x115	17.80				
330000		334	77x144	20.38				

● CASE SIZE & MAX RIPPLE CURRENT

Case size : D x L (mm)
Max ripple current : A(rms) 85°C 120Hz

μF	V(Code)		63 (1J)		80 (1K)		100 (2A)	
	Code	Item	DxL	R.C.	DxL	R.C.	DxL	R.C.
2200		222					35x50	2.15
2700		272					35x50	2.38
3300		332					35x50	2.64
3900		392					35x60	3.10
4700		472			35x50	2.72	35x80	3.87
5600		562	35x50	2.97	35x60	3.22	35x80	4.22
6800		682	35x50	3.28	35x80	4.03	35x100	5.15
8200		822	35x60	3.89	35x80	4.42	35x121	5.83
10000		103	35x80	4.77	35x100	5.41	51x80	6.03
12000		123	35x80	5.23	35x121	6.47	51x80	6.60
15000		153	35x100	5.88	51x80	7.63	51x121	8.86
18000		183	35x121	6.16	51x80	8.35	51x121	9.71
22000		223	51x80	7.73	51x100	8.76	64x100	9.79
27000		273	51x80	8.56	51x100	9.70	64x100	10.85
33000		333	51x100	8.76	64x100	10.22	64x144	12.80
39000		393	51x121	10.22	64x100	11.11	77x115	13.11
47000		473	64x100	11.88	64x144	14.33	77x144	14.81
56000		563	64x100	12.96	64x144	15.64		
68000		683	64x144	13.63	77x144	16.27		
100000		104	77x144	15.86				

μF	V(Code)		160 (2C)		200 (2D)		250 (2E)	
	Code	Item	DxL	R.C.	DxL	R.C.	DxL	R.C.
470		471					35x50	1.66
560		561					35x50	1.81
680		681			35x50	1.99	35x50	1.99
820		821			35x50	2.19	35x60	2.37
1000		102			35x60	2.62	35x80	2.87
1200		122	35x50	2.64	35x60	2.87	35x80	3.15
1500		152	35x60	3.20	35x80	3.52	35x100	3.49
1800		182	35x70	3.63	35x80	3.85	35x100	3.83
2200		222	35x80	4.26	35x100	4.23	51x70	4.28
2700		272	35x100	4.68	35x121	4.72	51x70	4.74
3300		332	35x121	5.22	51x70	5.24	51x90	5.38
3900		392	51x70	5.70	51x70	5.70	51x115	6.23
4700		472	51x70	6.26	51x90	6.42	64x96	7.06
5600		562	51x90	7.00	51x115	7.47	64x96	7.71
6800		682	51x90	7.72	51x130	8.70	64x115	9.19
8200		822	51x115	9.04	64x96	9.33	64x115	10.09
10000		103	64x96	10.30	64x96	10.30	64x130	11.76
12000		123	64x96	11.29	77x96	12.56	77x115	13.01
15000		153	64x130	13.83	77x96	14.04	77x130	14.70
18000		183	64x130	15.15	77x130	16.80	77x155	17.40
22000		223	77x130	18.57	77x155	20.07	90x157	20.19
27000		273	77x130	20.58	90x131	21.62		
33000		333	90x131	23.90	90x157	25.85		
39000		393	90x157	28.10				

● CASE SIZE & MAX RIPPLE CURRENT

Case size : D x L (mm)
 Max ripple current : A(rms) 85°C 120Hz

μF	V(Code)		350 (2V)		400 (2G)		450 (2W)	
	Code	Item	DxL	R.C.	DxL	R.C.	DxL	R.C.
270		271					35x50	1.45
330		331			35x80	1.97	35x80	1.97
390		391	35x50	1.74	35x80	2.14	35x80	2.14
470		471	35x80	2.35	35x80	2.35	35x80	2.35
560		561	35x80	2.57	35x80	2.57	35x100	2.63
680		681	35x80	2.83	35x100	2.90	35x100	2.90
820		821	35x100	3.18	35x100	3.18	51x70	3.26
1000		102	35x100	3.51	51x70	3.60	51x70	3.60
1200		122	51x70	3.94	51x70	3.94	51x90	4.39
1500		152	51x70	4.41	51x90	4.91	51x115	5.17
1800		182	51x90	5.38	51x90	5.38	51x130	5.64
2200		222	51x90	5.95	51x130	6.23	64x96	6.40
2700		272	51x130	6.91	64x96	7.09	64x115	7.25
3300		332	51x130	7.63	64x115	8.01	64x130	8.22
3900		392	64x115	8.71	64x130	8.94	77x115	9.40
4700		472	64x130	9.81	77x115	10.32	77x130	10.88
5600		562	77x115	11.26	77x130	11.87	77x155	12.83
6800		682	77x130	13.08	77x155	14.14	90x157	14.60
8200		822	77x155	15.53	90x157	16.03	90x157	16.03
10000		103	90x157	17.71	90x157	17.71	90x196	19.53
12000		123	90x157	19.40	90x196	21.40	90x236	23.28
15000		153	90x196	23.93	90x236	26.02		
18000		183	90x236	28.51				