

CONDUCTION COOLED CAPACITORS

FP-8-300 Conduction Cooled Capacitors
For Induction Heating

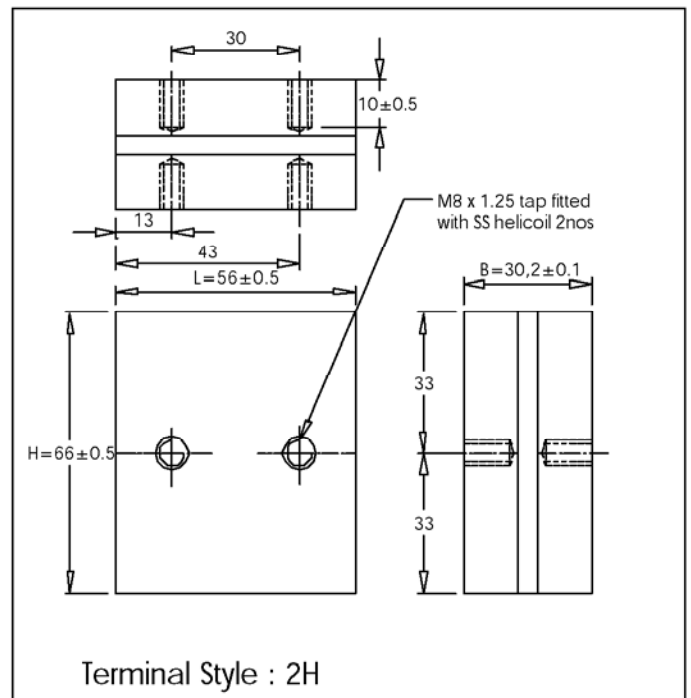
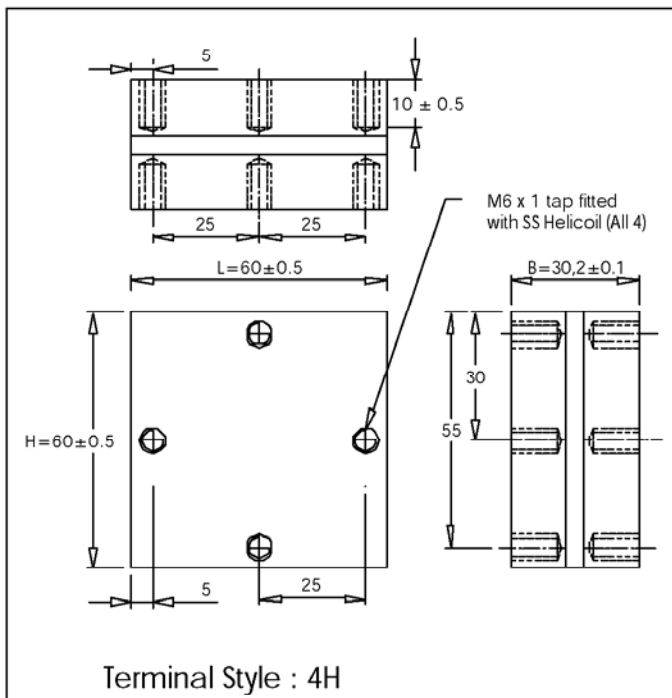
Highlights

- Conduction cooled
- Polypropylene dielectric
- Self-healing
- Stray inductance <math>< 5\eta H</math>
- Operating frequency up to 700 KHz



Specifications

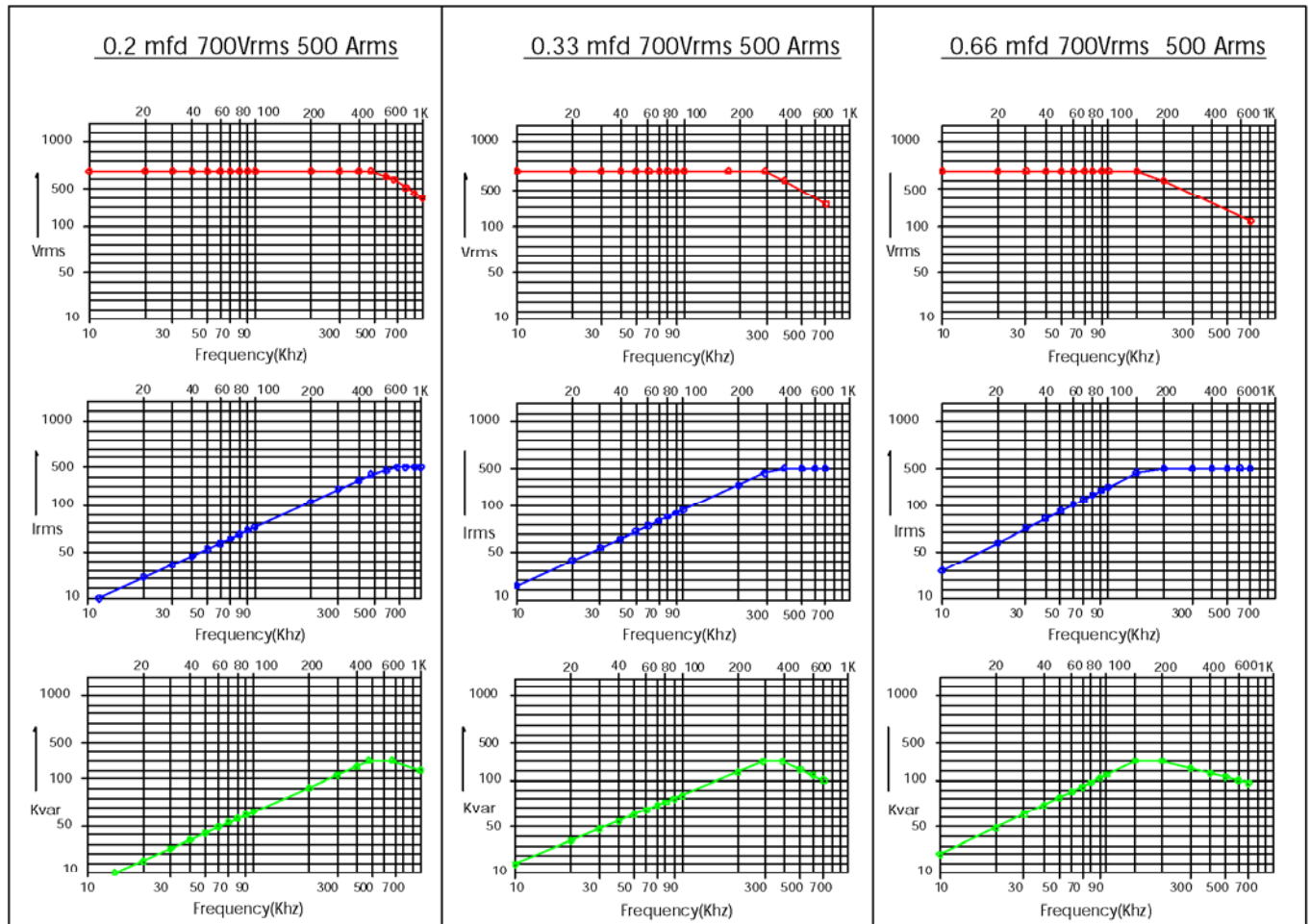
Rated Voltage Vrms	Nominal Capacitance Mfd at 1Khz	Max. current Irms	Max. power Kvar	Frequency KHz	ESR mΩ	Dimensions mm			Terminal Style
						B	H	L	
700	0.20	500	300	495-680	1.2	30.2	60	60	4H
						30.2	66	58	2H
	0.33	500	300	280-400	1.0	30.2	60	60	4H
						30.2	66	58	2H
	0.66	500	300	140-200	0.8	30.2	60	60	4H
						30.2	66	58	2H
600	1.0	650	300	130-210	0.5	30.2	60	60	4H
						30.2	66	58	2H
	1.32	650	300	100-170	0.3	30.2	60	60	4H
						30.2	66	58	2H
	2.4	650	300	78-97	0.2	30.2	60	60	4H
						30.2	66	58	2H
5.0	800	300	58-65	0.1	30.2	60	60	4H	



CONDUCTION COOLED CAPACITORS

FP-8-300 Conduction Cooled Capacitors For Induction Heating

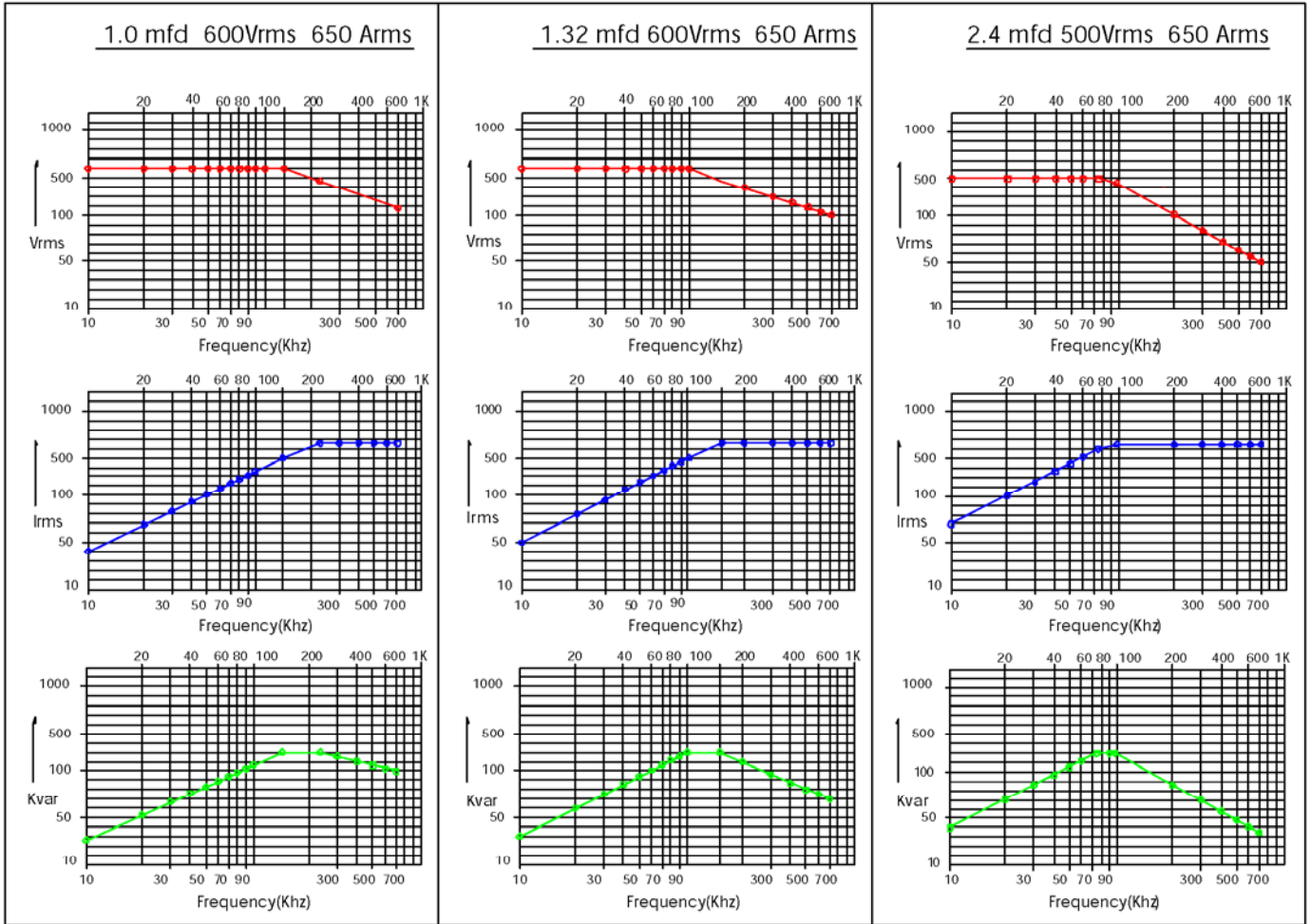
Frequency Derating



CONDUCTION COOLED CAPACITORS

FP-8-300 Conduction Cooled Capacitors
For Induction Heating

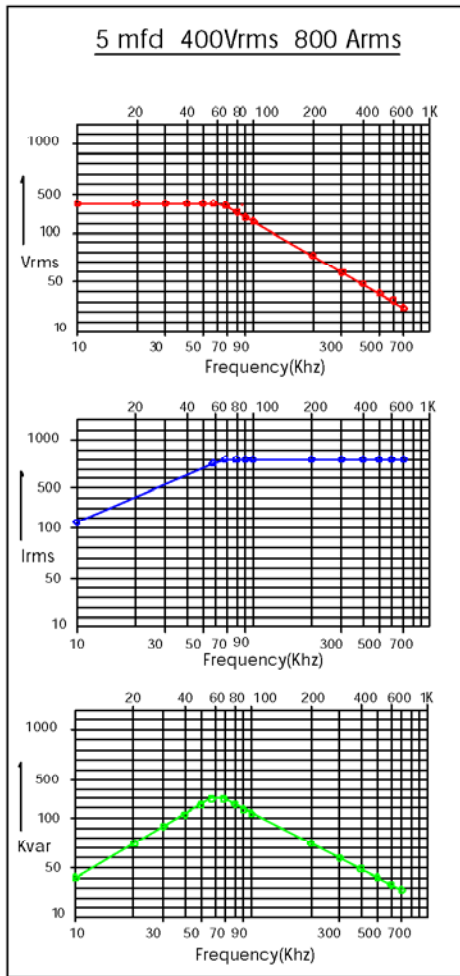
Frequency Derating



CONDUCTION COOLED CAPACITORS

FP-8-300 Conduction Cooled Capacitors For Induction Heating

Frequency Derating



7170 N. Ridgeway
Lincolnwood, IL 60712
Ph: 847-675-1865
Fax: 847-675-3345
Email: sales@icd-sales.com
Website: www.icd-sales.com