

CONDUCTION COOLED CAPACITORS



FP-4-150 Conduction Cooled Capacitors  
For Induction Heating

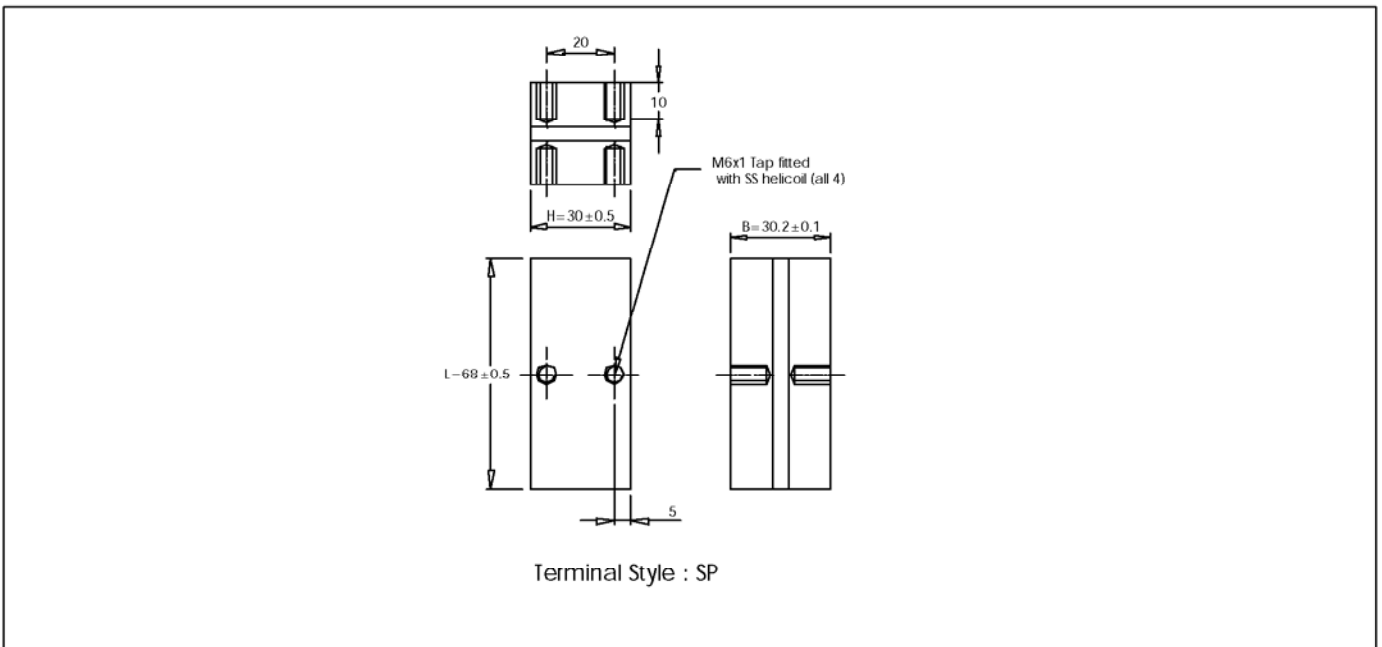


Highlights

- Conduction cooled
- Polypropylene dielectric
- Self-healing
- Stray inductance <math>< 3\eta H</math>
- Operating frequency up to 700 KHz

Specifications

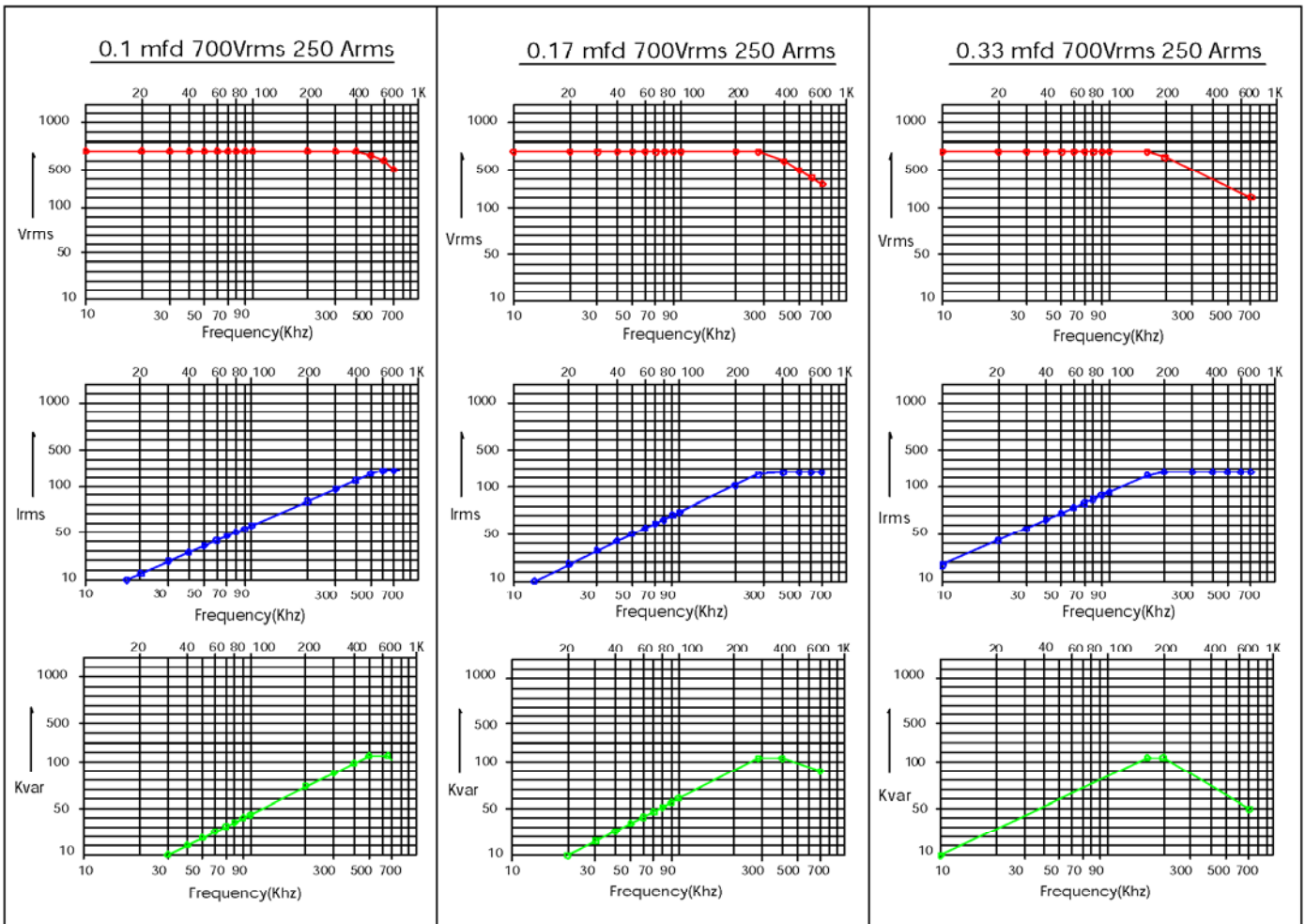
Rated Voltage Vrms	Nominal Capacitance Mfd at 1Khz	Max. current Irms	Max. power Kvar	Frequency KHz	ESR mΩ	Dimensions mm			Terminal Style
						B	H	L	
700	0.10	250	150	490-650	1.5	30.2	30	68	SP
	0.17	250	150	280-400	1.2	30.2	30	68	SP
	0.33	250	150	168-200	1.0	30.2	30	68	SP
600	0.66	300	150	100-160	0.8	30.2	30	68	SP
500	1.2	300	150	75-80	0.6	30.2	30	68	SP
400	2.5	400	150	58-68	0.4	30.2	30	68	SP



CONDUCTION COOLED CAPACITORS

FP-4-150 Conduction Cooled Capacitors  
For Induction Heating

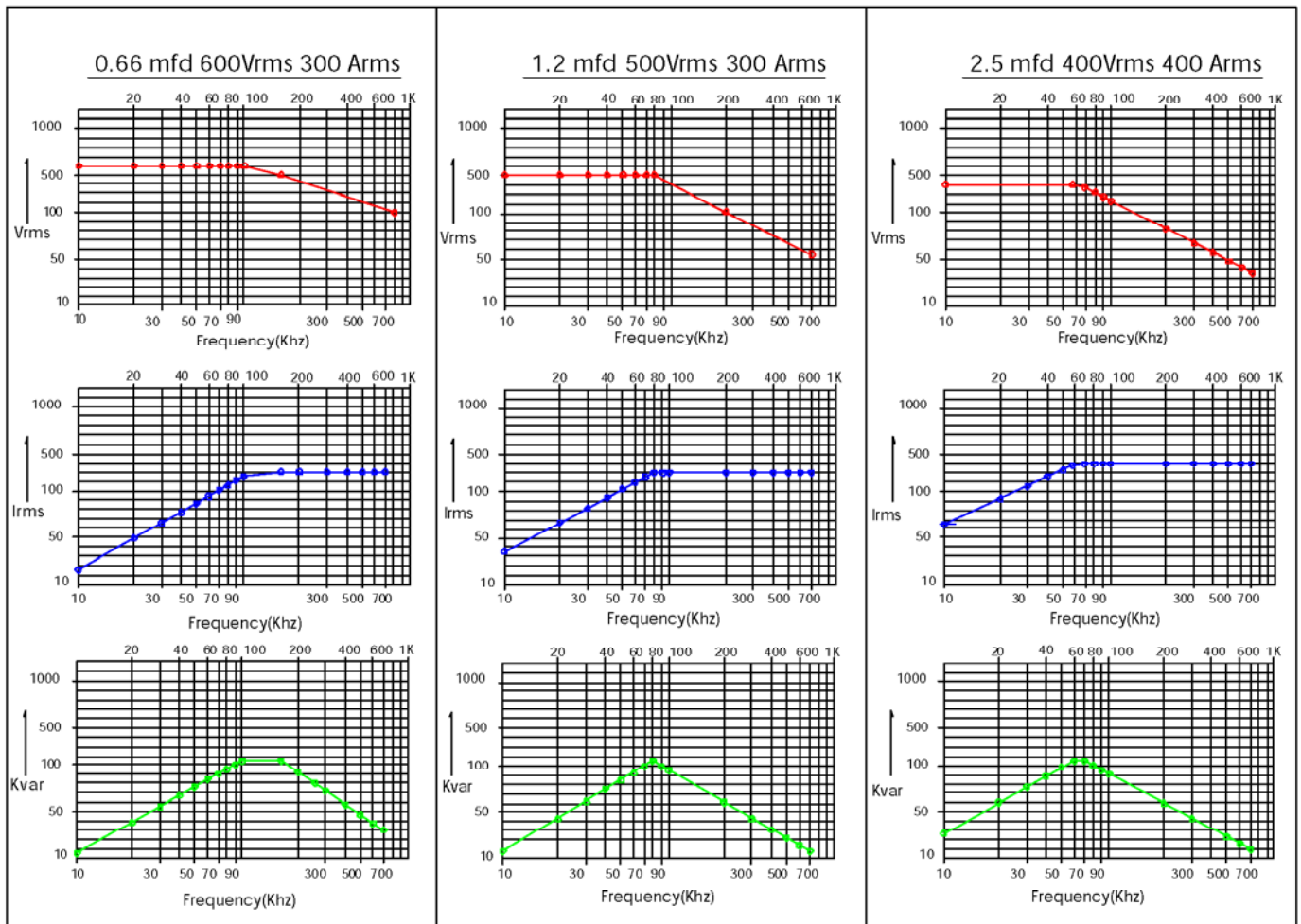
Frequency Derating



CONDUCTION COOLED CAPACITORS

FP-4-150 Conduction Cooled Capacitors  
For Induction Heating

Frequency Derating



7170 N. Ridgeway  
Lincolnwood, IL 60712  
Ph: 847-675-1865  
Fax: 847-675-3345  
Email: sales@icd-sales.com  
Website: www.icd-sales.com